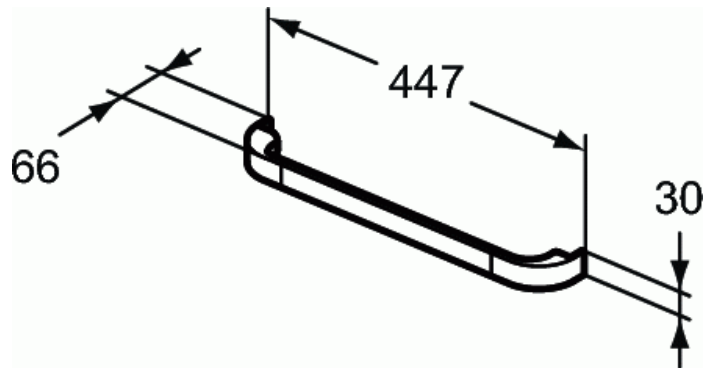
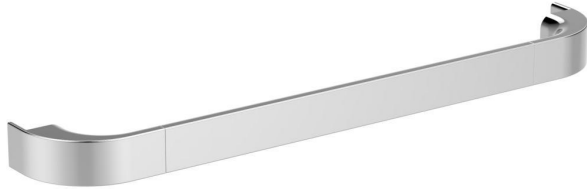


## TONIC II

### Handle for Guest Basin unit/structure 45 cm



#### Handle for Guest Basin unit/structure 45 cm

1 handle 447 mm  
Including fixation kit

#### VARIANTS

Handle for Column 35 cm width	R4355
Handle for Basin unit/structure 50 cm	R4357
Handle for Basin unit/structure 60 cm or Column 60 cm width	R4358
Handle for Basin unit/structure 80 cm	R4359
Handle for Basin unit/structure 100 cm	R4360
Handle for Basin unit/structure 120 cm	R4361

#### REQUIRED

Guest Basin unit 45 cm	R4306
Guest Basin unit 45 cm	R4318

#### FINISHES\*



\* WG = Glossy White, AA = Chrome