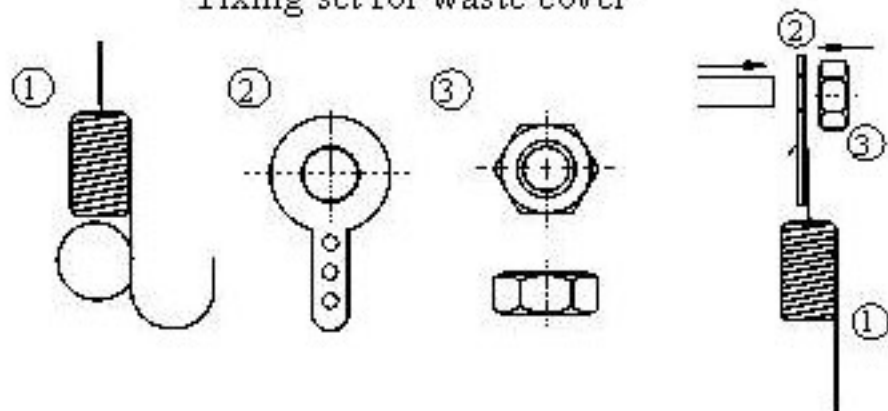


\* Triplet Tap Hole Can Be Punctured

KOD	A	B	C	KOD	D	E	n
20451	450	375	165	20451	155	800	220
*20501	500	400	190	20501	155	800	240

Fixing set for waste cover



20501