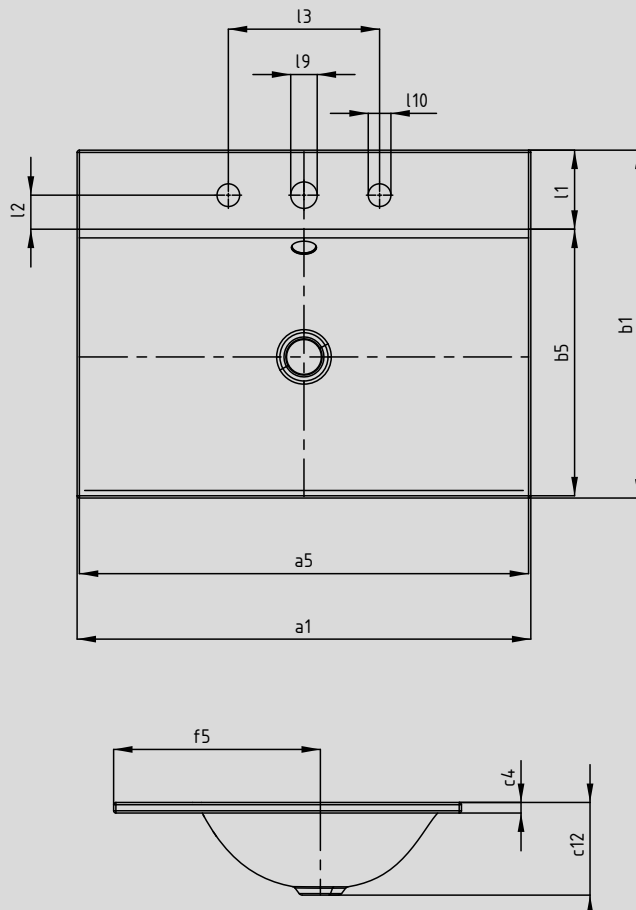


# SILENIO BUILT-IN WASHBASIN

- the flowing, soft design of the washbasin is underlined by a low lip for virtually flush mounting on your chosen vanity unit or console
- generous space for fittings and individual accessories
- Made of KALDEWEI steel enamel
- designed by Anke Salomon



Similar illustration



Model No.		3037	3038	3039
External length	a <sub>1</sub>	600	900	1200 mm
Internal length	a <sub>5</sub>	594	894	1194 mm
External width	b <sub>1</sub>	460	460	460 mm
Internal width	b <sub>5</sub>	352,5	352,5	352,5 mm
Height of rim	c <sub>4</sub>	14	14	14 mm
Distance basin surface to bottom edge of waste hole	c <sub>12</sub>	123	123	123 mm
Distance outer edge to centre of waste hole	f <sub>5</sub>	273,4	273,4	273,4 mm
Depth of tap deck	l <sub>1</sub>	104,5	104,5	104,5 mm
Distance tap holes to edge	l <sub>2</sub>	45	45	45 mm
Distance of tap holes	l <sub>3</sub>	200	200	200 mm
Diameter of centre tap hole	l <sub>9</sub>	35	35	35 mm
Diameter of outside tap holes (3 tap holes only)	l <sub>10</sub>	30	30	30 mm
Weight of the enamelled washbasin in kg		7,0	10,4	13,7