

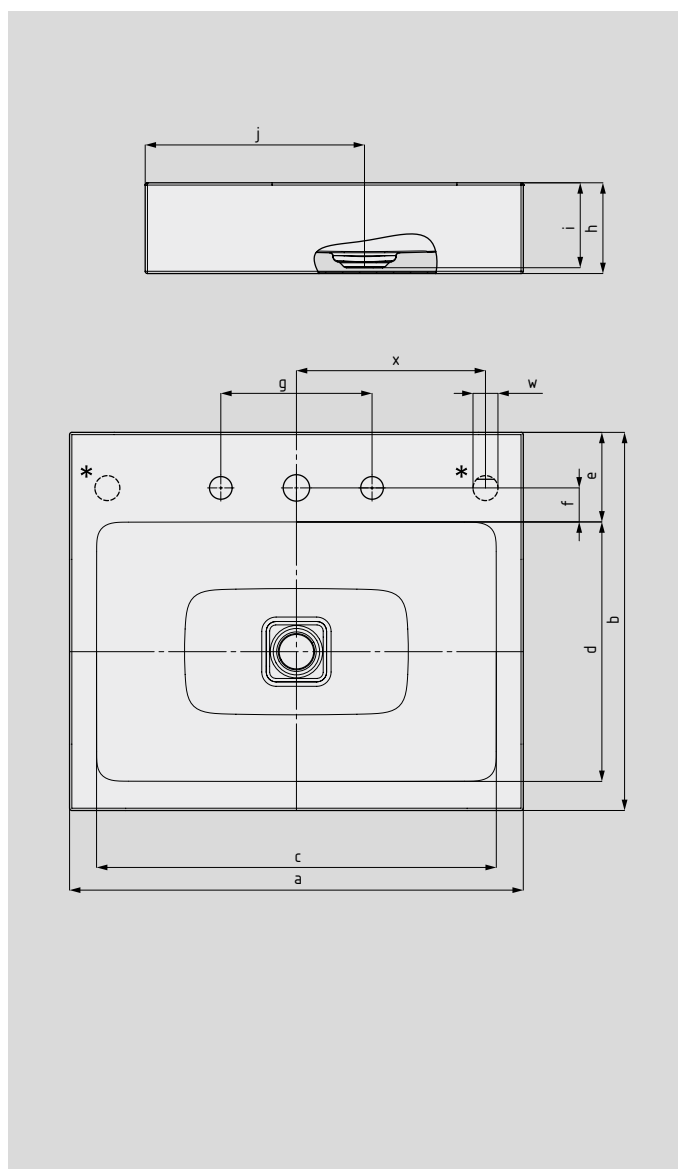
CONO COUNTERTOP WASHBASIN

(HEIGHT OF RIM 120 MM)

- washbasin with premium character exudes elegance and harmony
- optimally integrated enamelled waste accentuates the underlying geometry of the washbasin
- unusually generous rim provides space for fittings or individual accessories
- perfectly complements the CONO range



Similar illustrations



* Control knob holes for CLOU waste and overflow system with cable operated pop-up waste and deck mounted control knob, optionally left or right

Model No.		3085	3086
External length	a	600	900 mm
External width	b	500	500 mm
Internal length	c	532	832 mm
Internal width	d	348	348 mm
Depth of tap deck	e	116	116 mm
Distance tap holes to edge	f	45	45 mm
Distance of tap holes	g	200	200 mm
Height of rim	h	120	120 mm
Distance basin surface to bottom edge of waste hole	i	112	112 mm
Distance rear edge to centre of waste hole	j	290	290 mm
Diameter of control knob hole	w	33	33 mm
Distance of tap hole to centre of control knob hole	x	250	275 mm
Weight of the enamelled washbasin in kg		15,0	19,7