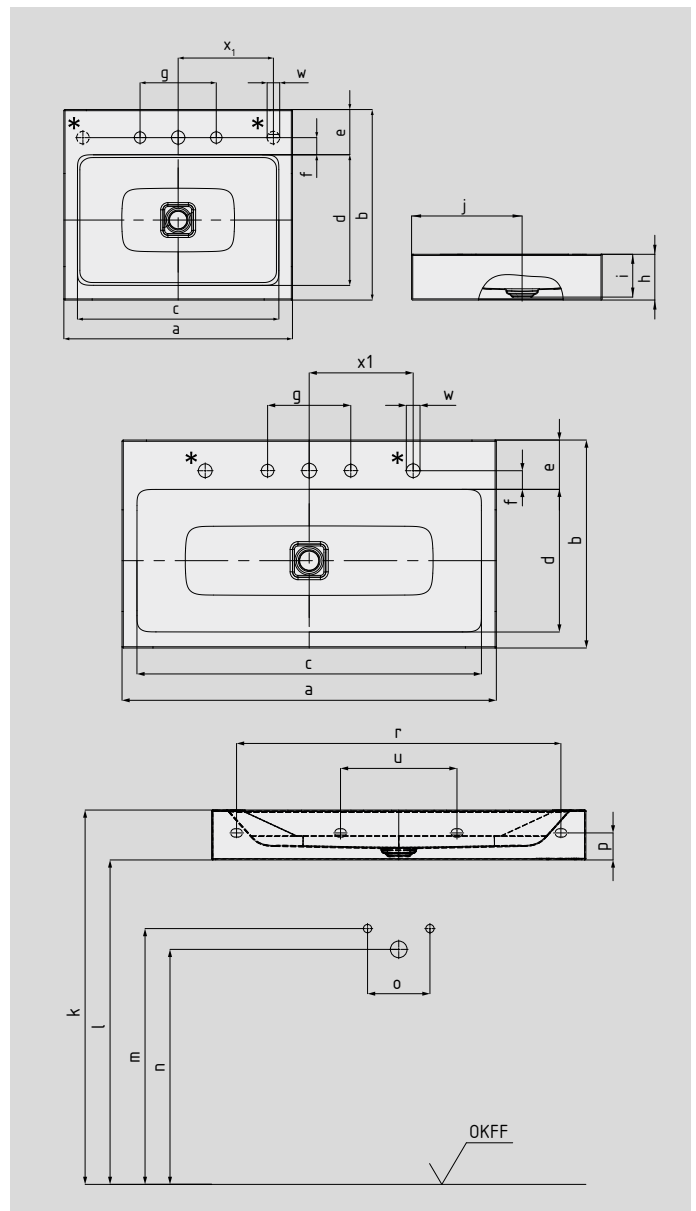


# CONO WALL-HUNG WASHBASIN

- washbasin with premium character exudes elegance and harmony
- optimally integrated enamelled waste accentuates the underlying geometry of the washbasin
- unusually generous rim provides space for fittings or individual accessories
- perfectly complements the CONO range



Similar illustrations



\* Control knob holes for CLOU waste and overflow system with cable operated pop-up waste and deck mounted control knob

| Model No.   |                | 3089    | 3090    | 3091       |
|---|----------------|---------|---------|------------|
| External length   | a              | 600     | 900     | 1200 mm    |
| External width  | b              | 500     | 500     | 500 mm     |
| Internal length   | c              | 532     | 832     | 1128 mm    |
| Internal width  | d              | 348     | 348     | 343 mm     |
| Depth of tap deck                                       | e              | 116     | 116     | 116 mm     |
| Distance tap holes to edge                              | f              | 45      | 45      | 45 mm      |
| Distance of tap holes                                   | g              | 200     | 200     | 200 mm     |
| Height of rim   | h              | 120     | 120     | 120 mm     |
| Distance basin surface to bottom edge of waste hole     | i              | 112     | 112     | 112 mm     |
| Distance rear edge to centre of waste hole              | j              | 290     | 290     | 290 mm     |
| Distance FF*1 to top edge of basin surface              | k              | 820-850 | 820-850 | 820-850 mm |
| Distance FF*1 to bottom edge (washbasin)                | l              | 700-730 | 700-730 | 700-730 mm |
| Distance FF*1 to centre of water inlet                  | m              | 570-600 | 570-600 | 570-600 mm |
| Distance FF*1 to centre of drain hole wall connection   | n              | 520-580 | 520-580 | 520-580 mm |
| Distance hot/cold water inlet                           | o              | 80-150  | 80-150  | 80-150 mm  |
| Distance bottom edge to centre of fixing hole           | p              | 65      | 65      | 65 mm      |
| Outer distance of fixing holes*2                        | r              |         | 780     | 1040 mm    |
| Inner distance of fixing holes*2                        | u              | 280     | 280     | 280 mm     |
| Distance of tap holes                                   | v              | -       | -       | 600 mm     |
| Diameter of control knob hole                           | w              | 33      | 33      | 33 mm      |
| Distance of tap hole to centre of control knob hole     | x <sub>1</sub> | 250     | 275     | mm         |
| Distance from centre of control knob hole to outer edge | x <sub>2</sub> |         |         | 600 mm     |
| Weight of the enamelled washbasin in kg                 |                | 15,0    | 19,7    | 24,8       |

\*1 Finished floor level.

\*2 Check the recommended number of fixing holes before purchasing the fittings (varies depending on size of washbasin). Subject to technical alterations, tolerances and errors. Similar illustrations.

**KALDEWEI**