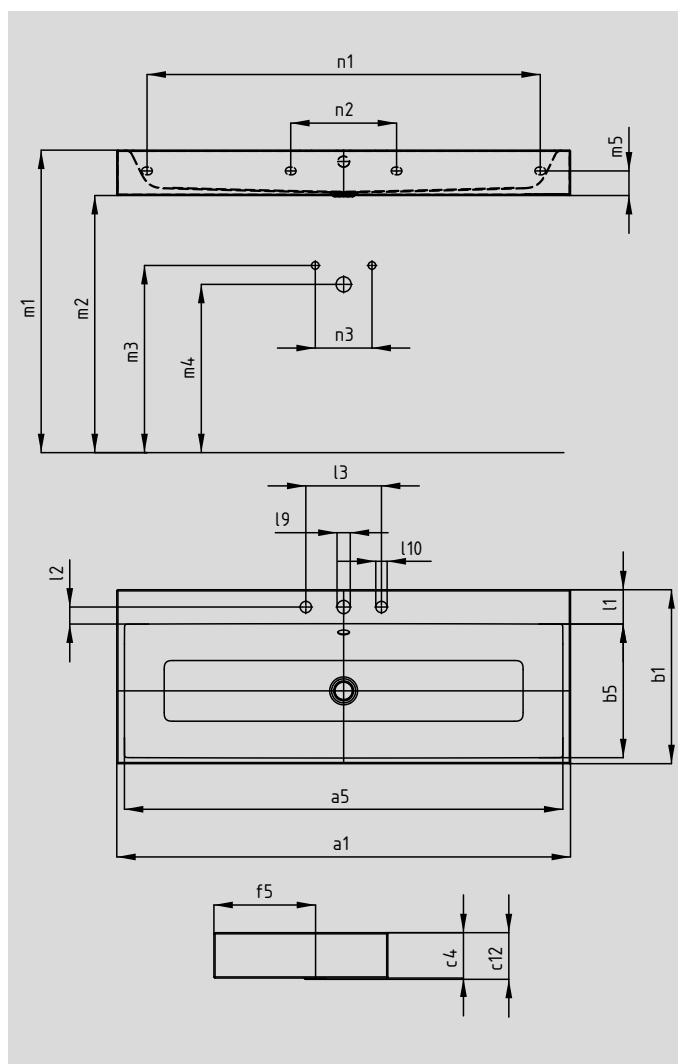


PURO WALL-HUNG WASHBASIN

- elegant rectangular washbasin in a classically minimalist design
- reduced precise edges
- very generous interior dimensions
- clean and timeless lines – immortalised in long-lasting KALDEWEI steel enamel
- harmonises perfectly with the PURO bathtub series
- designed by Anke Salomon



Similar illustration



Model No.		3167
External length	a ₁	1200 mm
Internal length	a ₅	1160 mm
External width	b ₁	460 mm
Internal width	b ₅	354 mm
Height of rim	c ₄	120 mm
Distance basin surface to bottom edge of waste hole	c ₁₂	125 mm
Distance outer edge to centre of waste hole	f ₅	267,5 mm
Depth of tap deck	l ₁	90,5 mm
Distance tap holes to edge	l ₂	45 mm
Distance of tap holes	l ₃	200 mm
Diameter of centre tap hole	l ₉	35 mm
Diameter of outside tap holes (3 tap holes only)	l ₁₀	30 mm
Distance FF*1 to top edge of basin surface	m ₁	820 - 850 mm
Distance FF*1 to bottom edge (washbasin)	m ₂	700 - 730 mm
Distance FF*1 to centre of water inlet	m ₃	570 - 600 mm
Distance FF*1 to centre of drain hole wall connection	m ₄	520 - 580 mm
Distance bottom edge to centre of fixing hole	m ₅	65 mm
Outer distance of fixing holes	n ₁	1040 mm
Inner distance of fixing holes	n ₂	280 mm
Distance hot/cold water inlet	n ₃	80 - 150 mm
Weight of the enamelled washbasin in kg		22,8