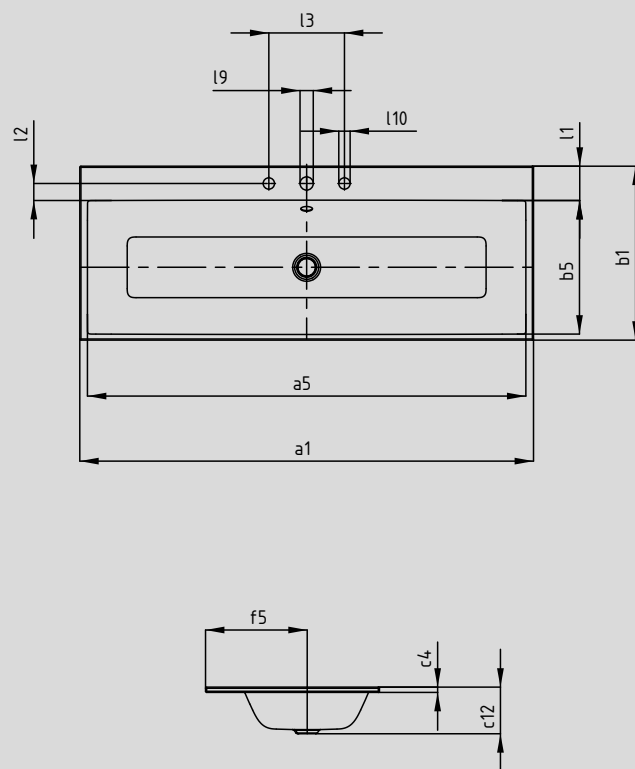


PURO BUILT-IN WASHBASIN

- elegant rectangular washbasin in a classically minimalist design
- reduced precise edges
- very generous interior dimensions
- clean and timeless lines – immortalised in long-lasting KALDEWEI steel enamel
- harmonises perfectly with the PURO bathtub series
- designed by Anke Salomon



Similar illustration



Model No.		3169
External length	a_1	1200 mm
Internal length	a_5	1160 mm
External width	b_1	460 mm
Internal width	b_5	354 mm
Height of rim	c_4	14 mm
Distance basin surface to bottom edge of waste hole	c_{12}	125 mm
Distance outer edge to centre of waste hole	f_5	267,5 mm
Depth of tap deck	l_1	90,5 mm
Distance tap holes to edge	l_2	45 mm
Distance of tap holes	l_3	200 mm
Diameter of centre tap hole	l_9	35 mm
Diameter of outside tap holes (3 tap holes only)	l_{10}	30 mm
Weight of the enamelled washbasin in kg		20,8