

Technische Daten

KLUDI AMBA
Concealed single lever bath- and shower mixer

Article- Nr.:
536500575

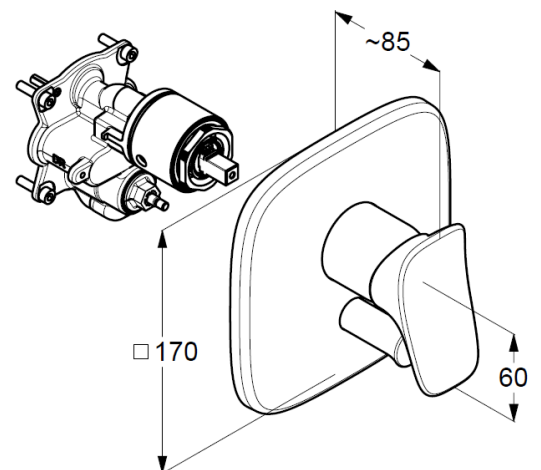
Surface:
05 chrome

manufacturer KLUDI GmbH & Co. KG
Typ: KLUDI AMBA
Concealed single lever bath- and shower mixer,
PN 10
Art. Nr. 536500575
concealed bath-shower mixer
single lever mixer
trim set without pre-installation set
pre installation set KLUDI FLEXX.BOX Art. Nr. 88011
trim set with functional unit
wall mounted
automatic diverter: shower/ bath
solid lever, metal
ceramic cartridge with hotwater safety device
flow rate at 3 bar = 31 l/ min.

Product Picture



Dimensional drawing



Flow rate diagram

