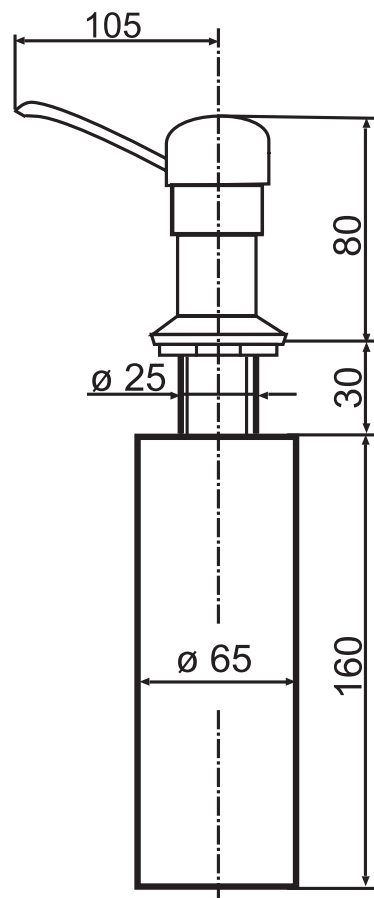


36.304.00..0000

SANIT Soap dispenser 450ml



Item number

36.304.00..0000

Ean11

4013341047975

Product description

Soap dispenser Soap dispenser and pump head made of high-quality, chrome-plated brass container body made of plastic, refillable, installation diameter 25 mm, maximum installation depth 30 mm, capacity 0.45 l, packed in a box