

100 1801 Wall mounted single lever basin mixer

complete with concealed body 1/2" without Steinbox, with ceramic cartridge, projection 165 mm, chrom

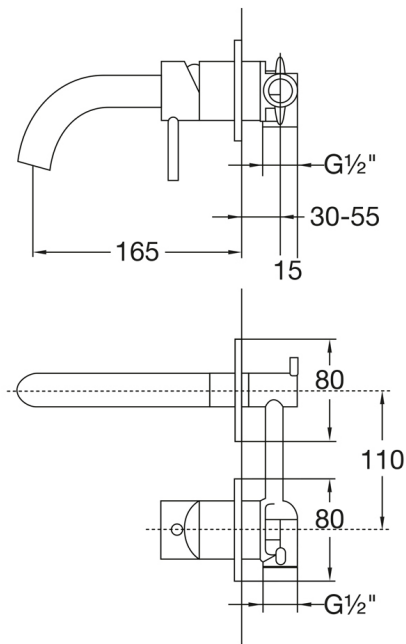
PRODUCT IMAGE



100 1801 Wall mounted single lever basin mixer

complete with concealed body 1/2" without Steinbox, with ceramic cartridge, projection 165 mm, chrom

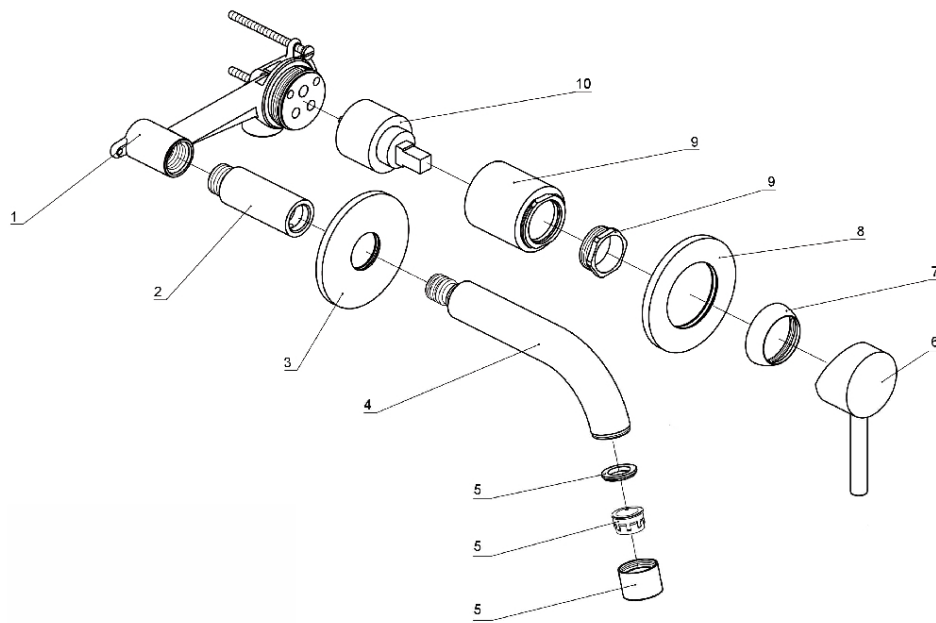
TECHNICAL DRAWING




100 1801 Wall mounted single lever basin mixer

complete with concealed body 1/2" without Steinbox, with ceramic cartridge, projection 165 mm, chrom

EXPLODED VIEW



| | | | |
|----|------------|--|---|
| 1 | 099 1118 | UP Körper | 100 1801 |
| 2 | 099 9706 | Anschlussstück für Wandausläufe, 1/2" mit 30mm | |
| 3 | 099 9869 | Schub-Rosette Ø 80mm für Wandauslauf | |
| 4 | 099 9705 | Auslauf 140mm incl. Luftsprudler | |
| 5 | 099 9124 | Luftsprudler mit Hülse (M24 x 1 IG) | 17.11.2016 |
| 6 | 099 9911 | Griff Serie 100 |  <p>STEINBERG Finest faucets and accessories</p> |
| 7 | 099 8013 | Kugelkappe, Chrom (40mm) | |
| 8 | 099 9873 | Schub-Rosette Ø 80mm für Einhebelmischer | |
| 9 | 099 8021 | Chromhülse für Kartusche | |
| 10 | 099 9020 1 | Kartusche Ø 40mm "Kerox" | |
| | | | |