

**100 1750 Single lever basin mixer without pop up waste**

projection 128 mm, with ceramic cartridge, with flexible hoses 3/8", chrome

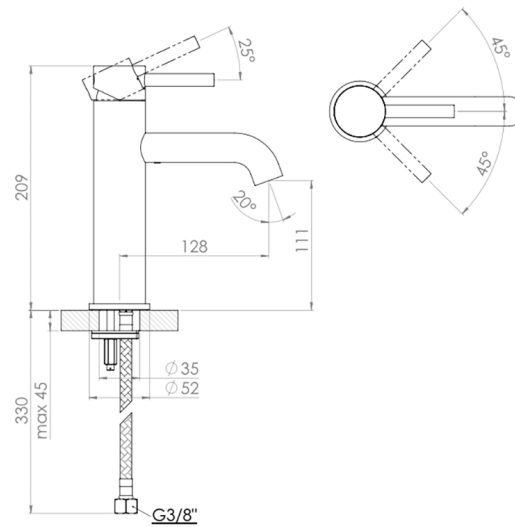
PRODUCT IMAGE



**100 1750 Single lever basin mixer without pop up waste**

projection 128 mm, with ceramic cartridge, with flexible hoses 3/8", chrome

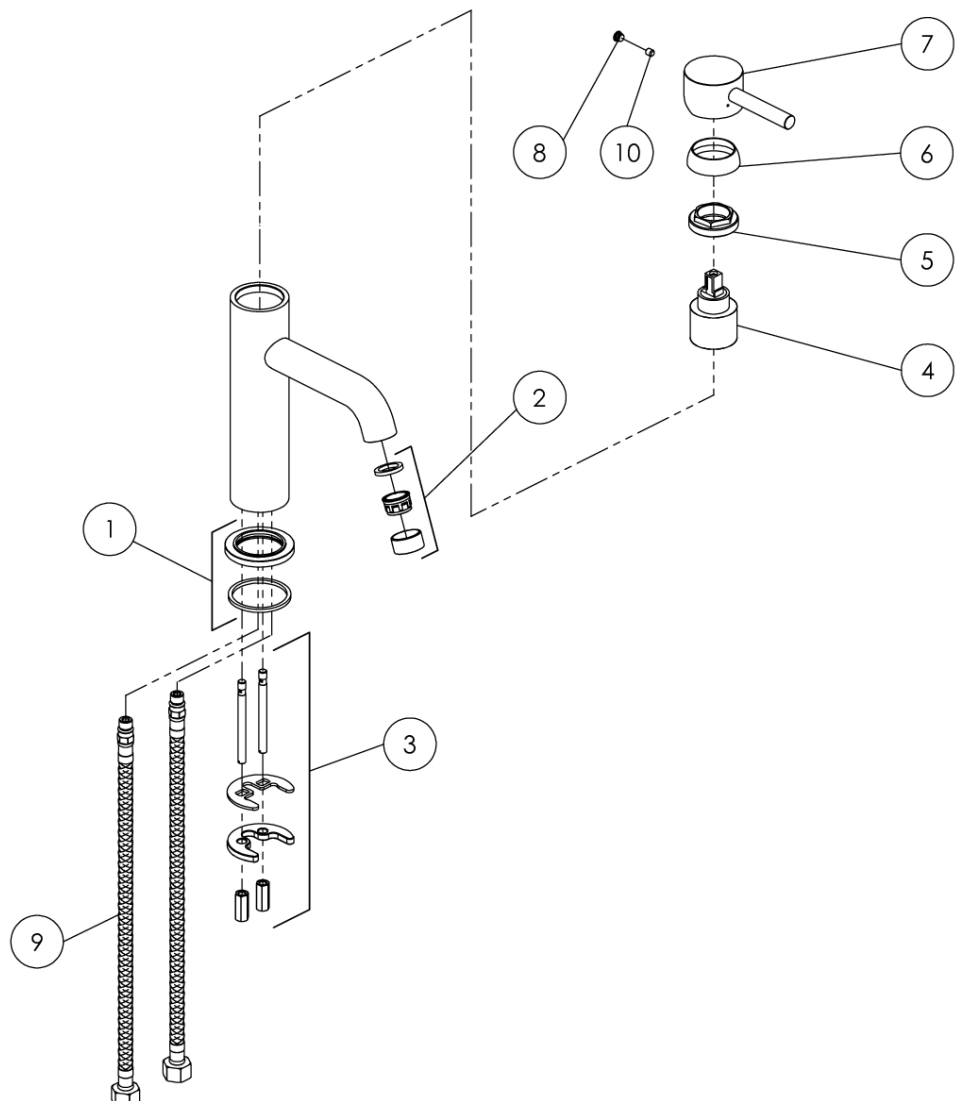
TECHNICAL DRAWING



100 1750 Single lever basin mixer without pop up waste

projection 128 mm, with ceramic cartridge, with flexible hoses 3/8", chrome

EXPLODED VIEW



PartNo	DE	EN	
1	099 9870	Fuß-Rosette Ø 52mm	foot rosette Ø 52mm
2	099 9134	Luftsprudler innenliegend, komplett mit Montageschlüssel	aerator inside with chrome finished sleeve
3	099 9800	Befestigungsset 2 Gewindestifte M6, ohne Fußrosette	fixing set, 2 x tree rod M6, without base rosette
4	099 9020 1	Kartusche "Kerox" 40mm	cartridge "Kerox" 40mm
5	099 8012	Überwurfmutter Kartuschenbefestigung 40mm	hexagonnut to fix cartridge 40mm
6	099 8013	Kugelkappe, chrom	chrome sleeve for hexagonnut
7	099 9911	EHM-Armaturenhebel komplett mit Logo	lever for single lever mixer complete with logo
8	099 4107	Chromkappchen	chrom cap of single lever mixer handle
9	099 9204	Flexschläuche 3/8" x M10, Länge = 500mm	flexible connection hose 3/8" x M10, lenght= 500mm
10	099 1105	Madenschraube M5	grub screw M5

100 1750

08.10.2019

STEINBERG

