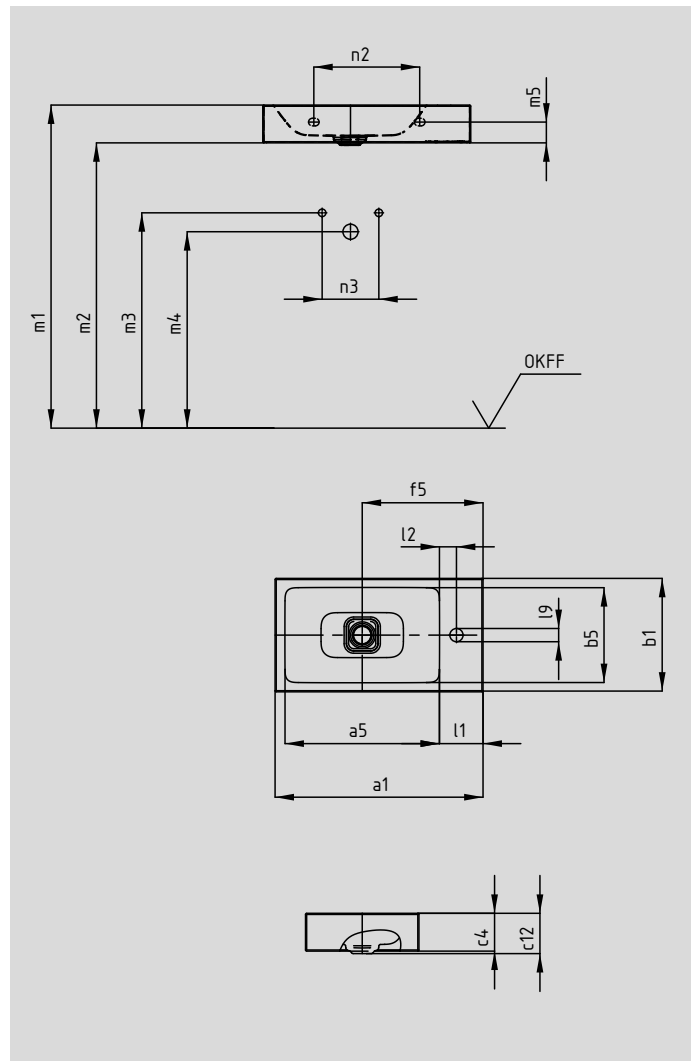


CONO WALL-HUNG HANDBASIN (TAP HOLE LEFT OR RIGHT)

- washbasin with premium character exudes elegance and harmony
- optimally integrated enamelled waste accentuates the underlying geometry of the washbasin
- unusually generous rim provides space for fittings or individual accessories
- perfectly complements the CONO range



Similar illustration



Model No.		3073
External length	a_1	550 mm
Internal length	a_5	408 mm
External width	b_1	300 mm
Internal width	b_5	251 mm
Height of rim	c_4	100 mm
Distance basin surface to bottom edge of waste hole	c_{12}	102 mm
Distance outer edge to centre of waste hole	f_5	319,5 mm
Depth of tap deck	l_1	115 mm
Distance tap holes to edge	l_2	45 mm
Diameter of centre tap hole	l_9	35 mm
Distance FF*1 to top edge of basin surface	m_1	820 - 850 mm
Distance FF*1 to bottom edge (washbasin)	m_2	700 - 730 mm
Distance FF*1 to centre of water inlet	m_3	570 - 600 mm
Distance FF*1 to centre of drain hole wall connection	m_4	520 - 580 mm
Distance bottom edge to centre of fixing hole	m_5	65 mm
Inner distance of fixing holes	n_2	280 mm
Distance hot/cold water inlet	n_3	80 - 150 mm
Weight of the enamelled washbasin in kg		8,2