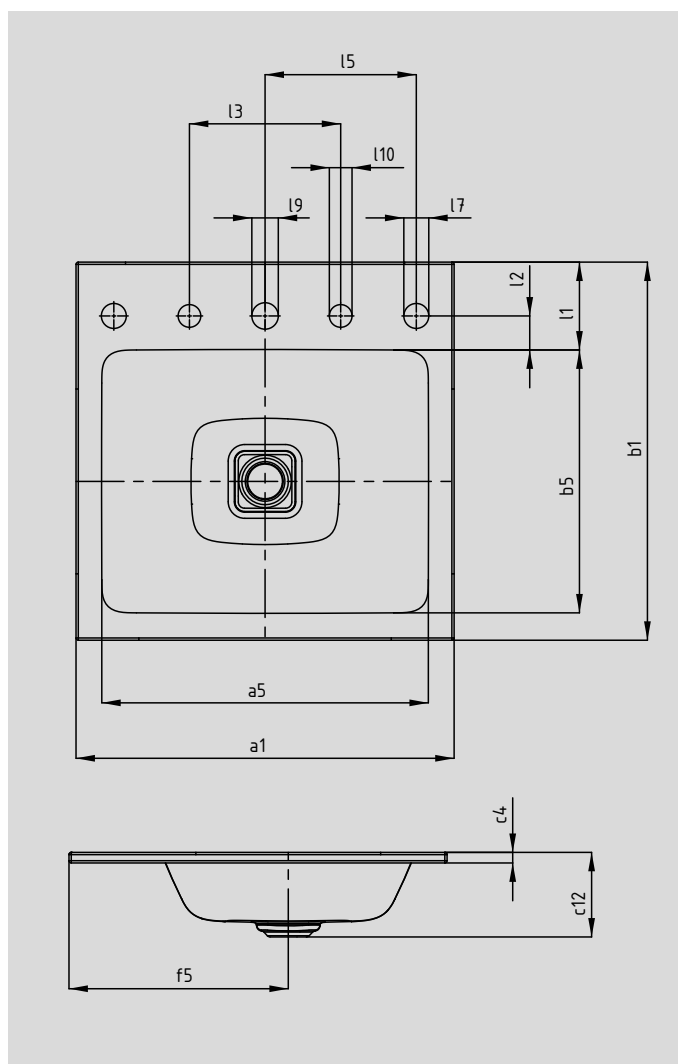


CONO BUILT-IN WASHBASIN

- washbasin with premium character exudes elegance and harmony
- optimally integrated enamelled waste accentuates the underlying geometry of the washbasin
- unusually generous rim provides space for fittings or individual accessories
- perfectly complements the CONO range



Similar illustration



Model No.		3075
External length	a ₁	500 mm
Internal length	a ₅	432 mm
External width	b ₁	500 mm
Internal width	b ₅	348 mm
Height of rim	c ₄	14 mm
Distance basin surface to bottom edge of waste hole	c ₁₂	112 mm
Distance outer edge to centre of waste hole	f ₅	290 mm
Depth of tap deck	l ₁	116 mm
Distance tap holes to edge	l ₂	45 mm
Distance of tap holes	l ₃	200 mm
Distance of tap hole to centre of control knob hole	l ₅	200 mm
Diameter of control knob hole	l ₇	33 mm
Diameter of centre tap hole	l ₉	35 mm
Diameter of outside tap holes (3 tap holes only)	l ₁₀	30 mm
Weight of the enamelled washbasin in kg		6,7