

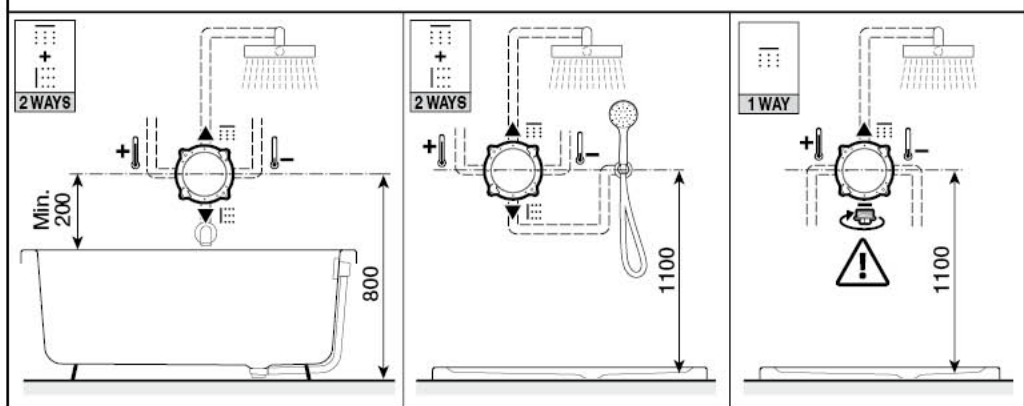
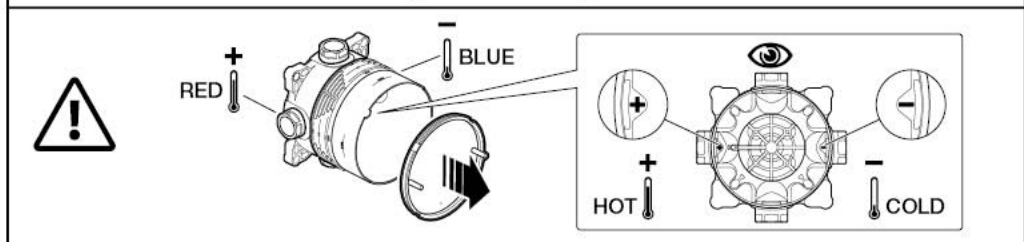
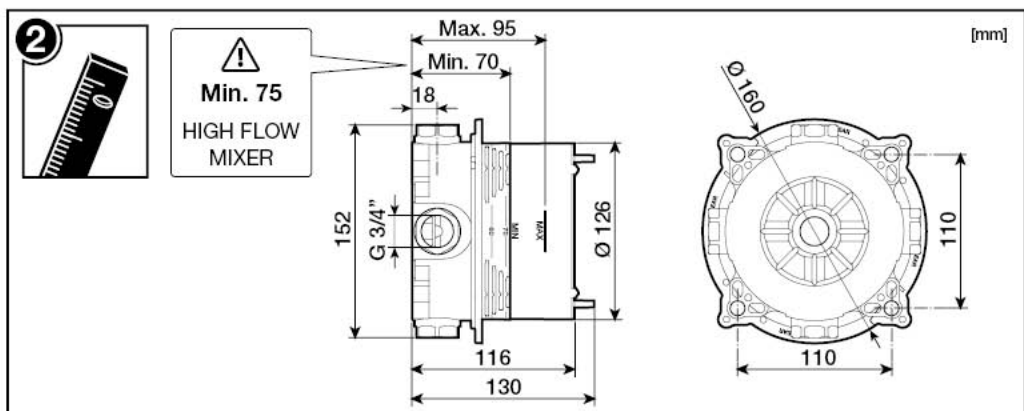
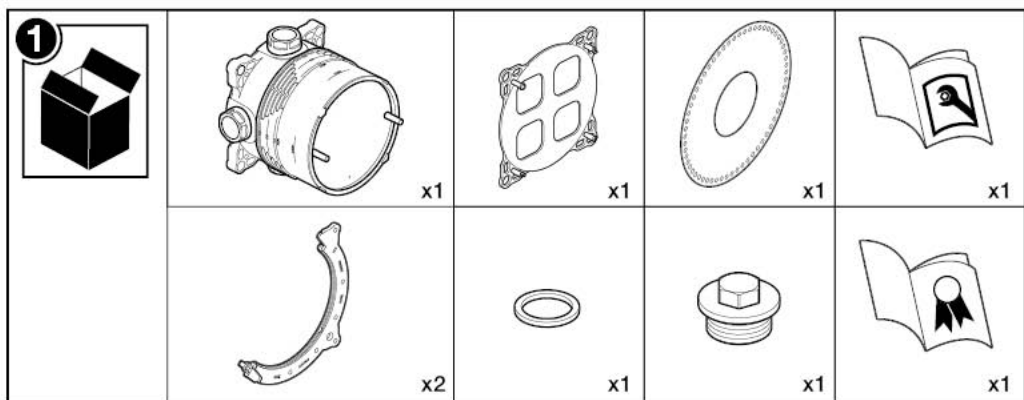


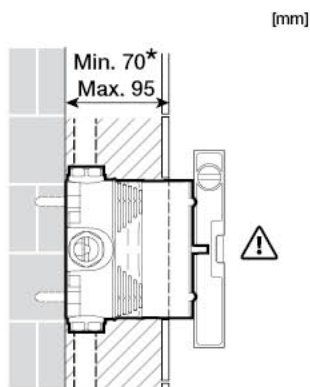
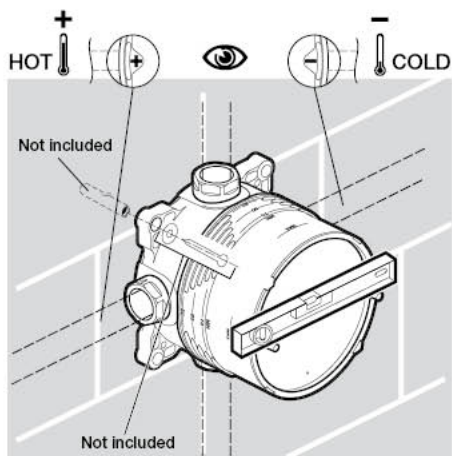
Roca

BOX UNIVERSAL

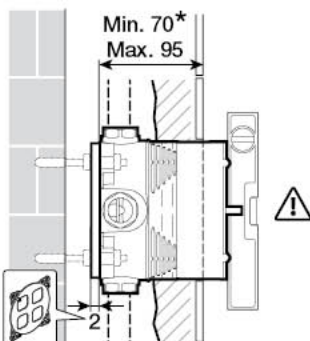
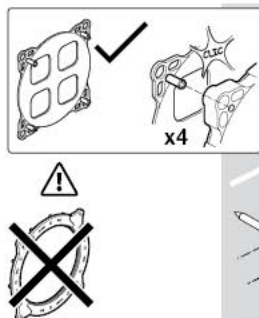
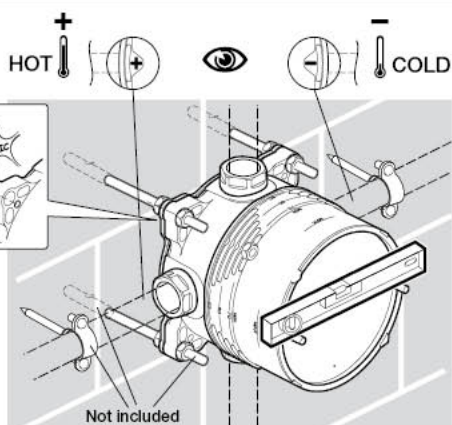
A525869403



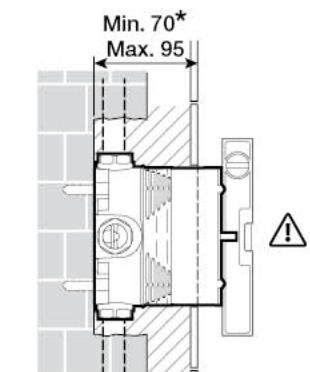
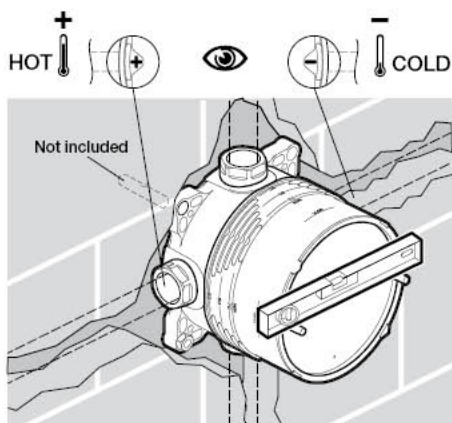


**A**

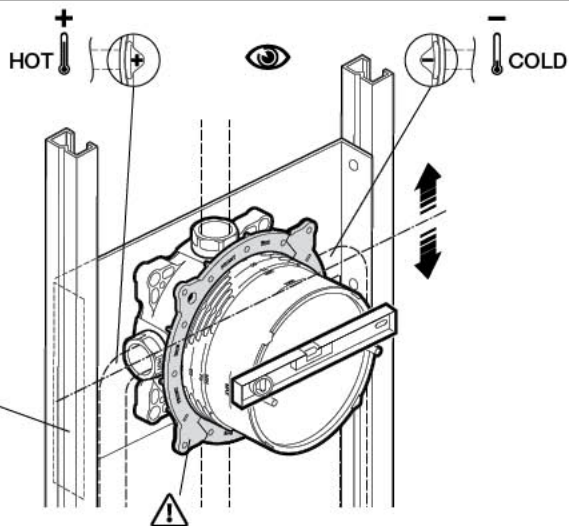
* Min. 75 only in HIGH FLOW
A5A9A4A... / A5A9B4A...

B

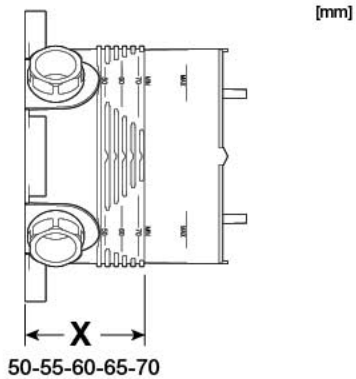
* Min. 75 only in HIGH FLOW
A5A9A4A... / A5A9B4A...

C

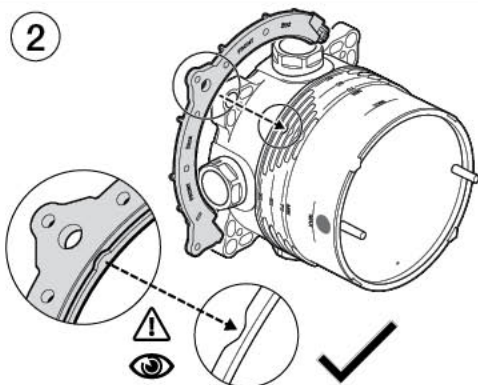
* Min. 75 only in HIGH FLOW
A5A9A4A... / A5A9B4A...



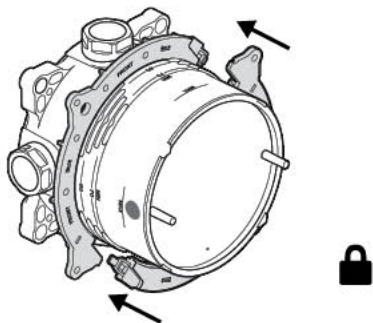
1



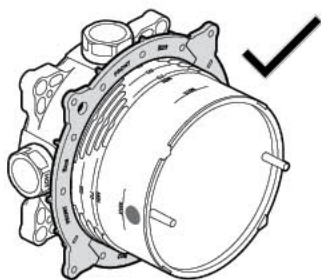
2

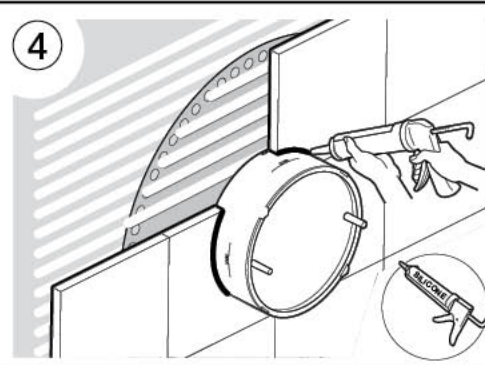
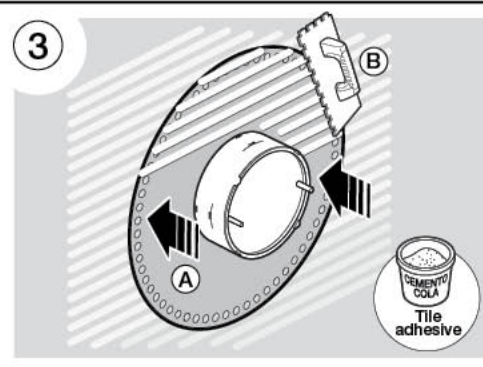
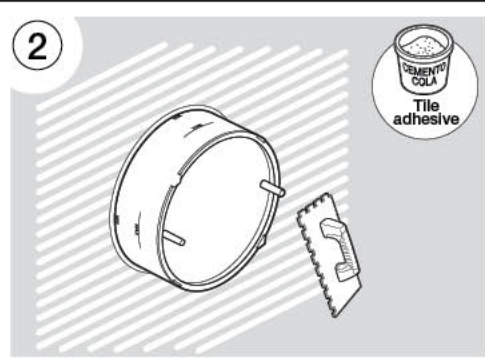
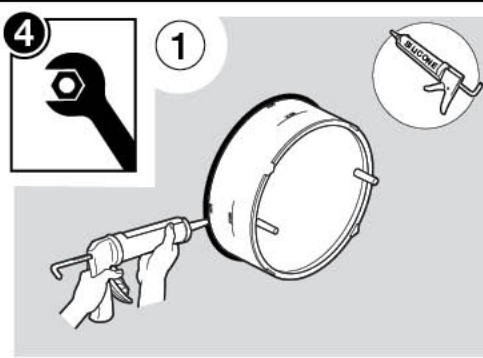
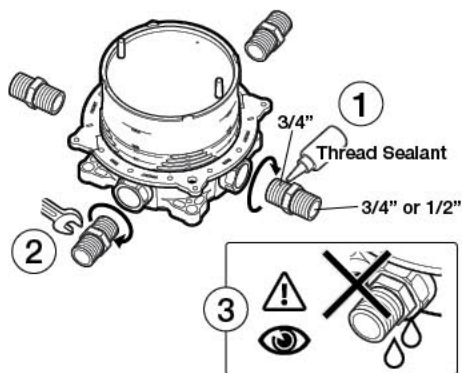
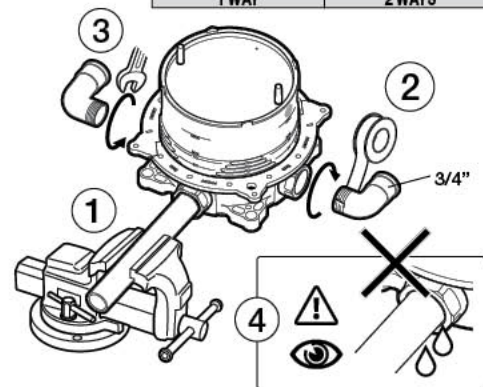
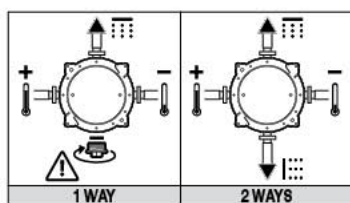
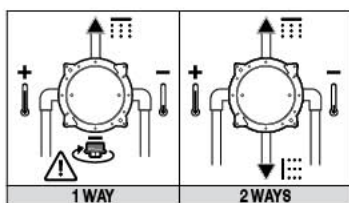
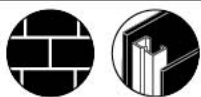


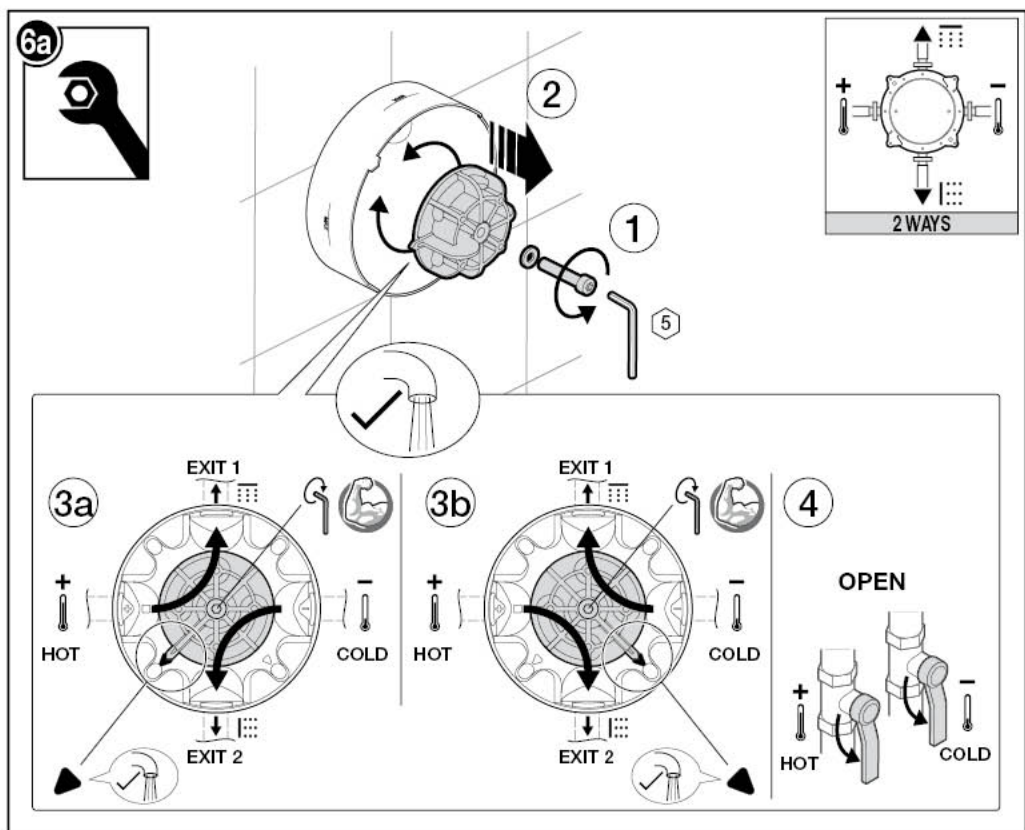
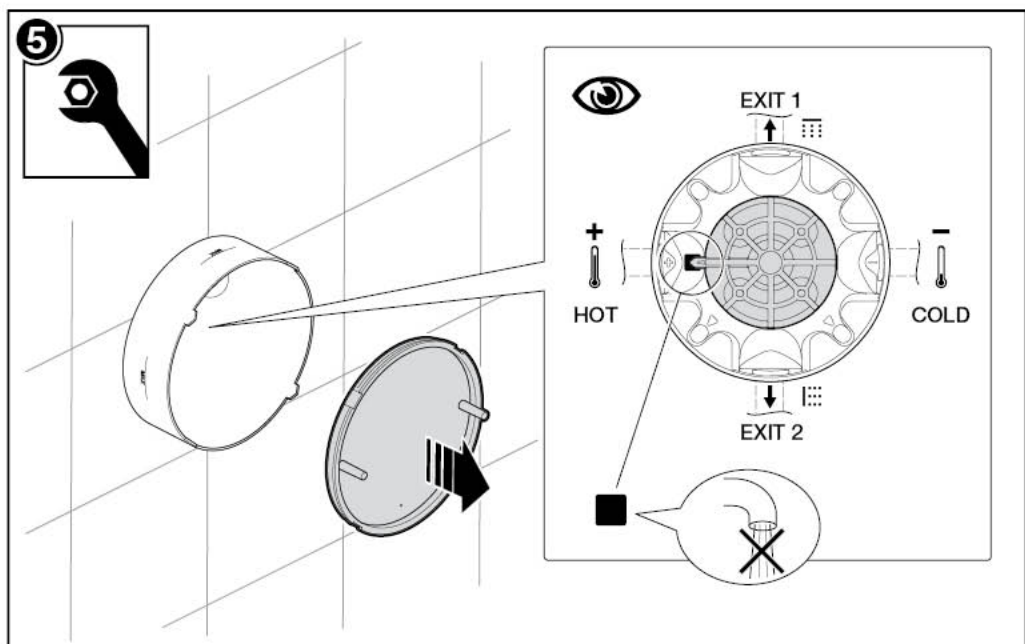
3

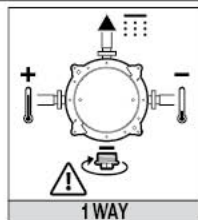
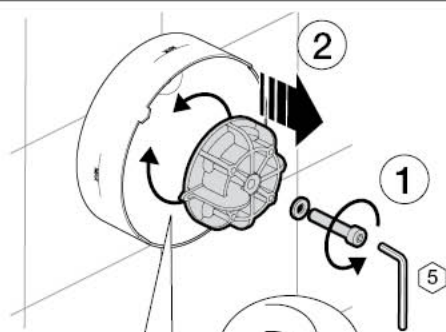


4

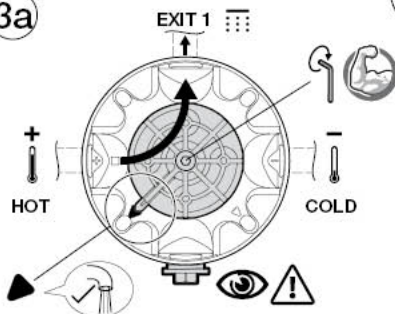




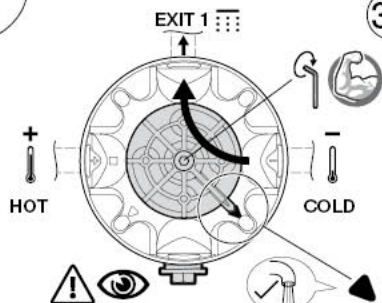




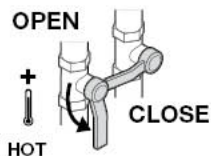
3a



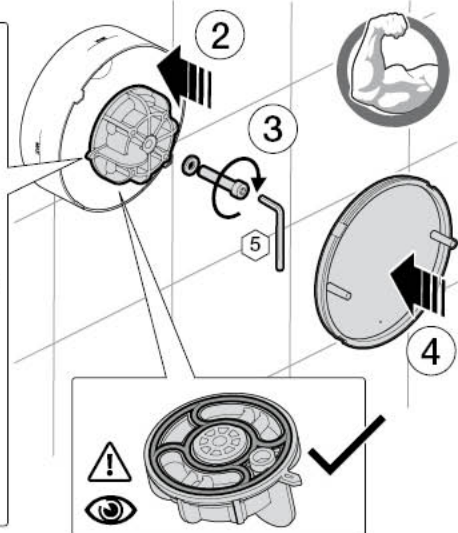
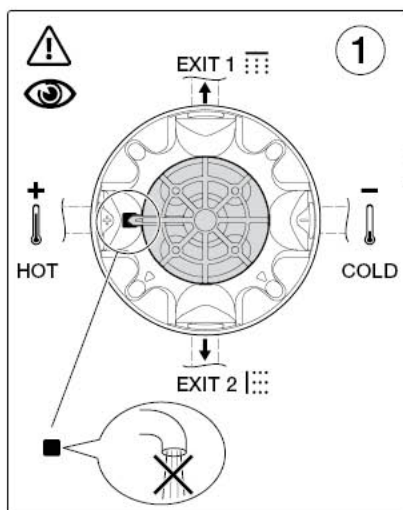
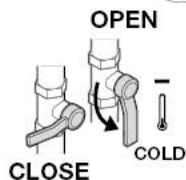
3b



4a



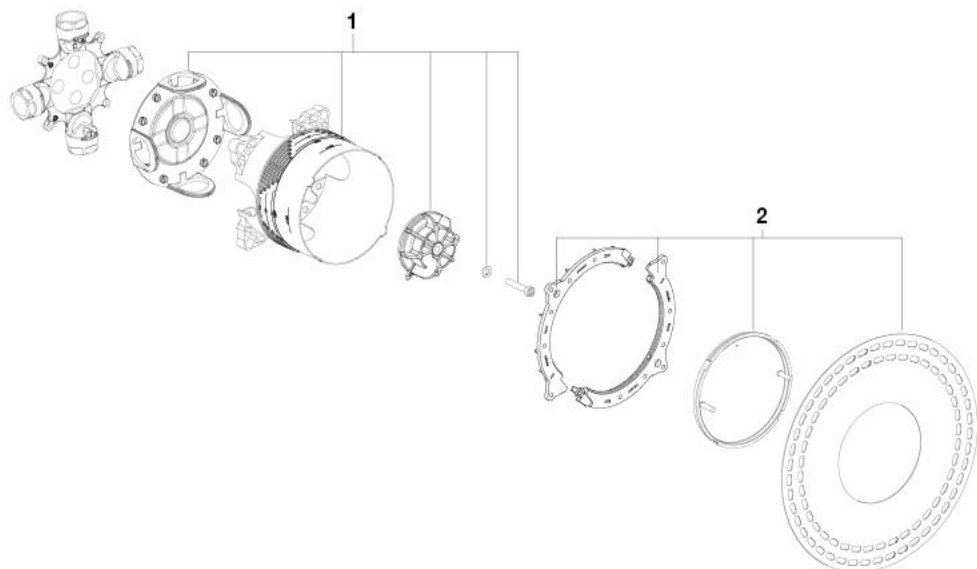
4b


















1 AG0119900R

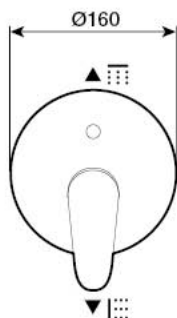
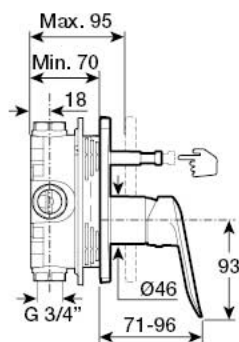
2 AG0120000R



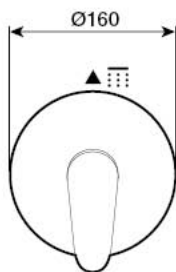
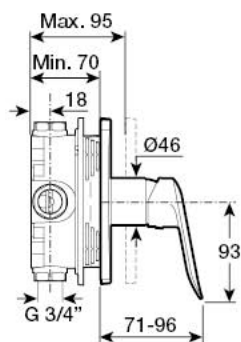
| | | | |
|--|-------|---|--|
|  P  | P bar |  | TEST  |
|  P  | P bar | MIN 1  | 3  |
|   T | °C |  |   |

LOGICA

A5A0B27...

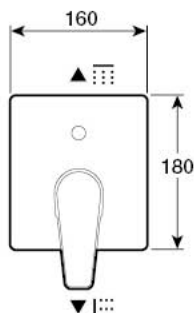
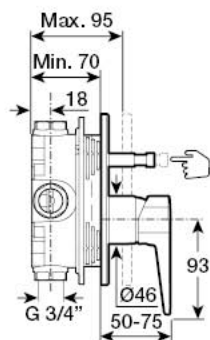


A5A2B27...

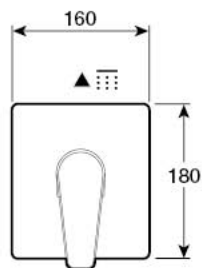
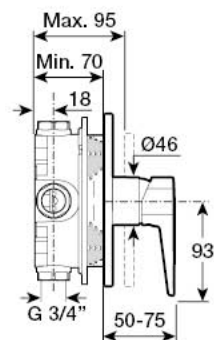


ESMAI

A5A0B31...

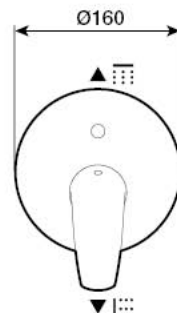
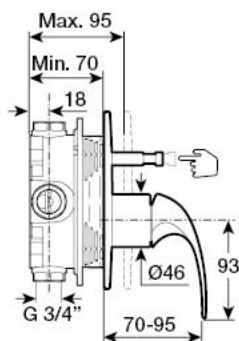


A5A2B31...

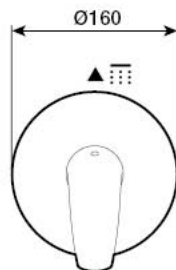
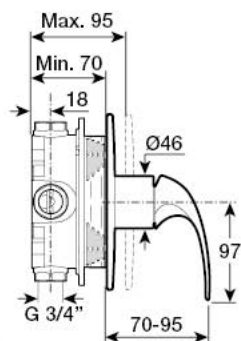


M2

A5A0B68...

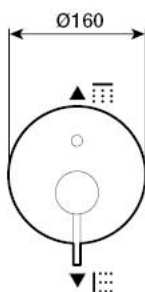
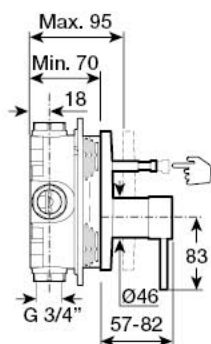


A5A2B68...

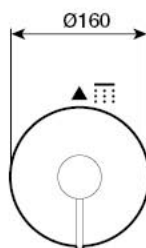
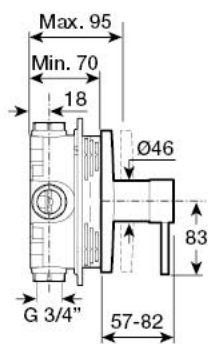


LANTA

A5A0B11...

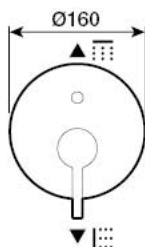
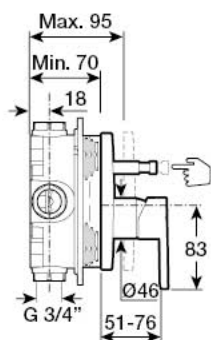


A5A2B11...

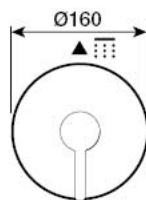
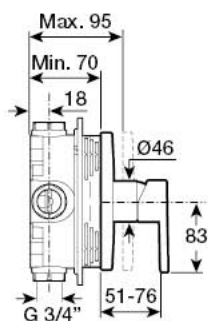


NAIA

A5A0B96...

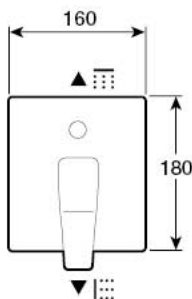
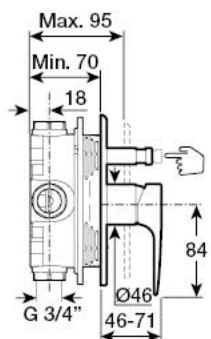


A5A2B96...

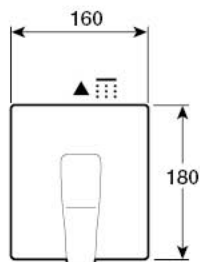
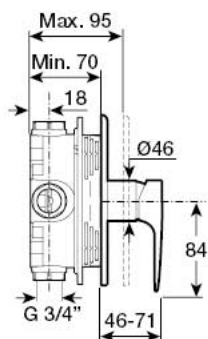


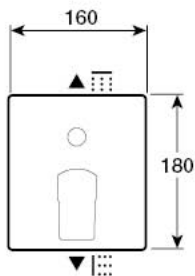
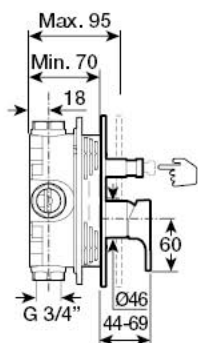
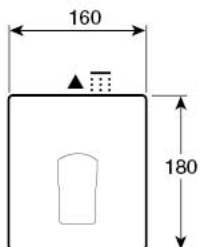
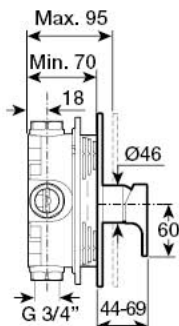
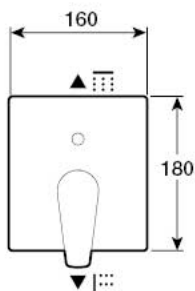
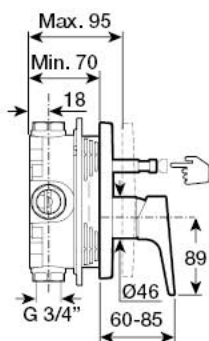
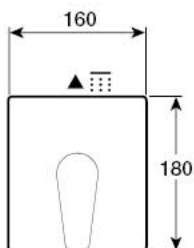
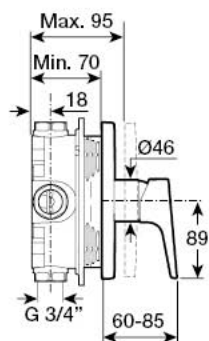
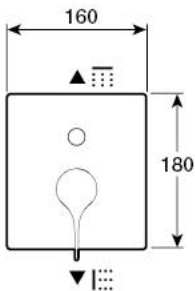
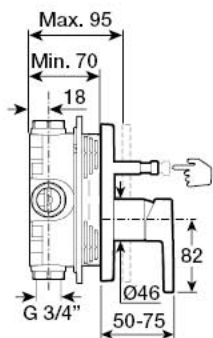
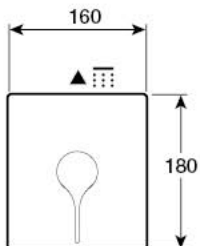
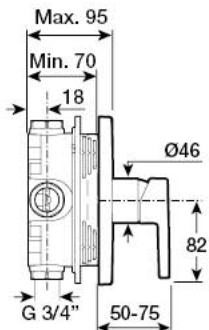
THESIS

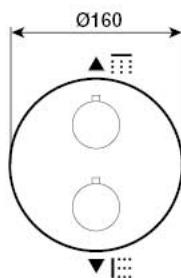
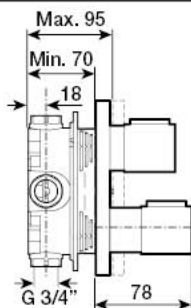
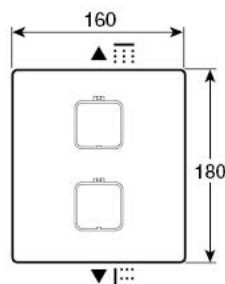
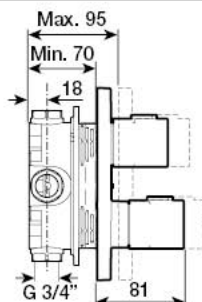
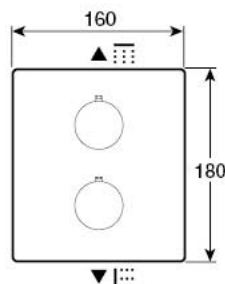
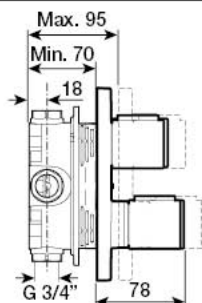
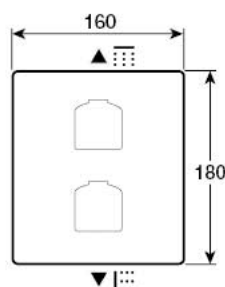
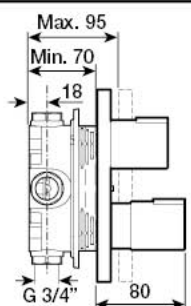
A5A0B50...



A5A2B50...



L90**A5A0B01...****A5A2B01...****ATLAS****A5A0B90...****A5A2B90...****INSIGNIA****A5A0B3A...****A5A2B3A...**

T1000**A5A0C09...****2 WAYS****A5A2C09...****1 WAY****T1000
SQUARE****A5A0C1A...****2 WAYS****A5A2C1A...****1 WAY****T2000****A5A0C88...****2 WAYS****A5A2C88...****1 WAY****L90-T****A5A0C01...****2 WAYS****A5A2C01...****1 WAY**

AS23094407g

Roca Sanitario, S.A.
Avda. Diagonal, 513
08029 Barcelona
SPAIN
www.roca.com

933 LÍNEA DE ATENCIÓN
661 AL CONSUMIDOR
266 ESPAÑA

SERVICIO TÉCNICO
ESPAÑA

productsupport.rs@roca.net
soporteproducto.rs@roca.net