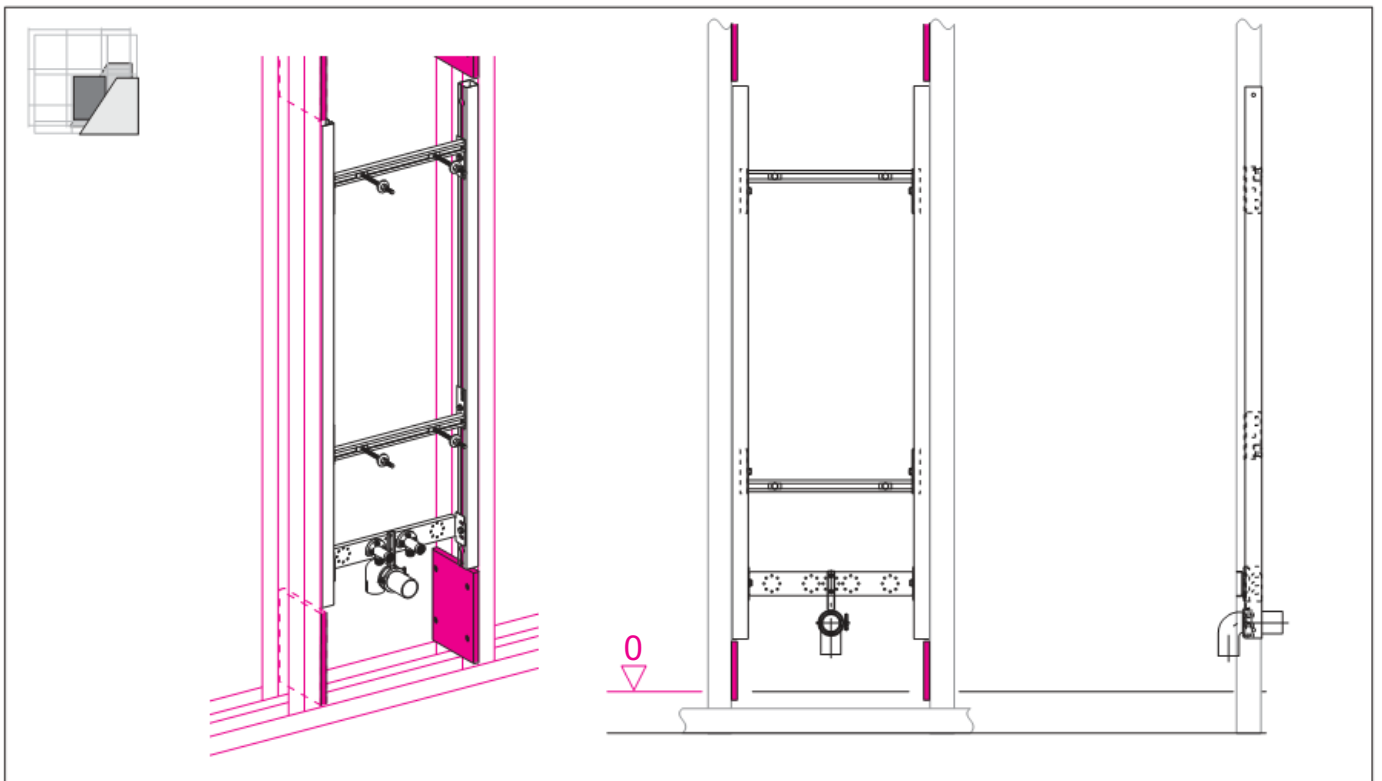
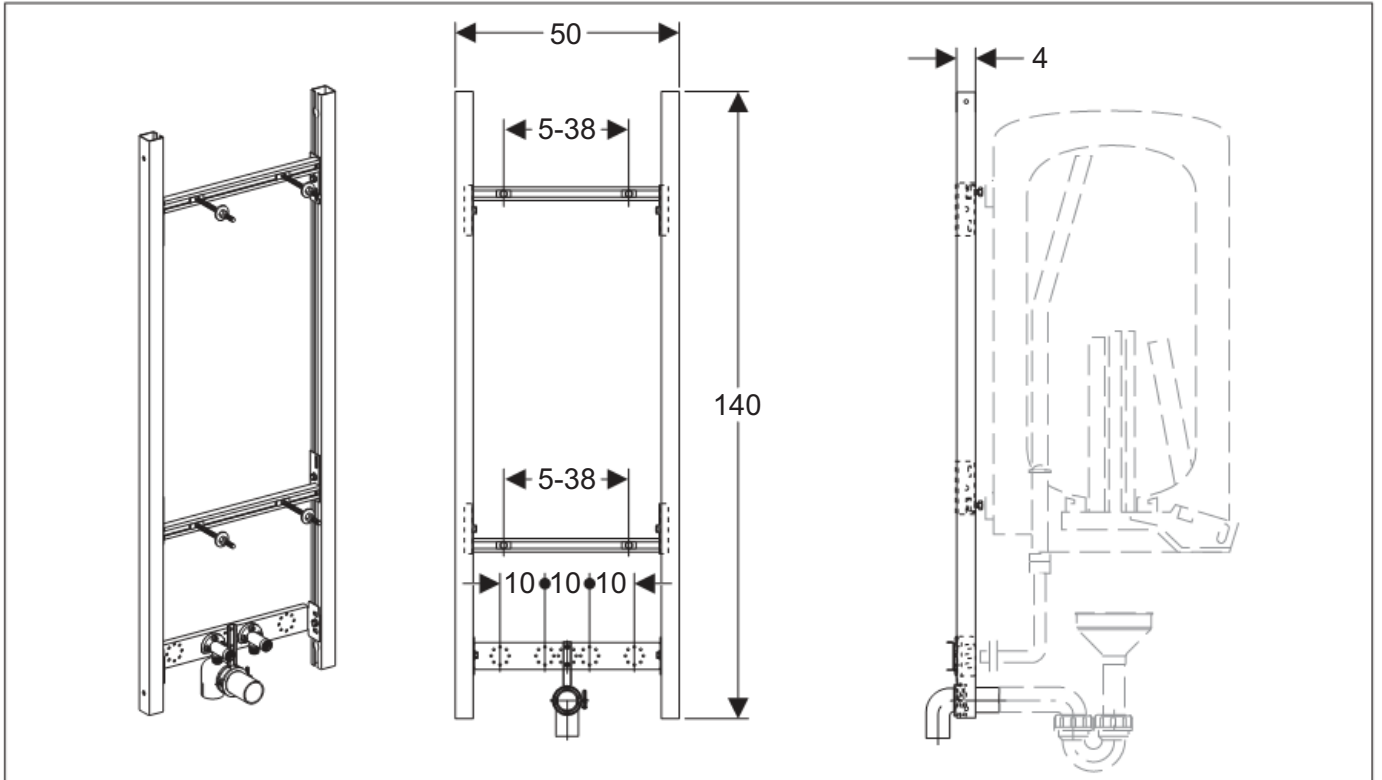


Montage Duofix



D5247-001&BDC © 01-2005

964.386.00.0 (01)

Montage Duofix

