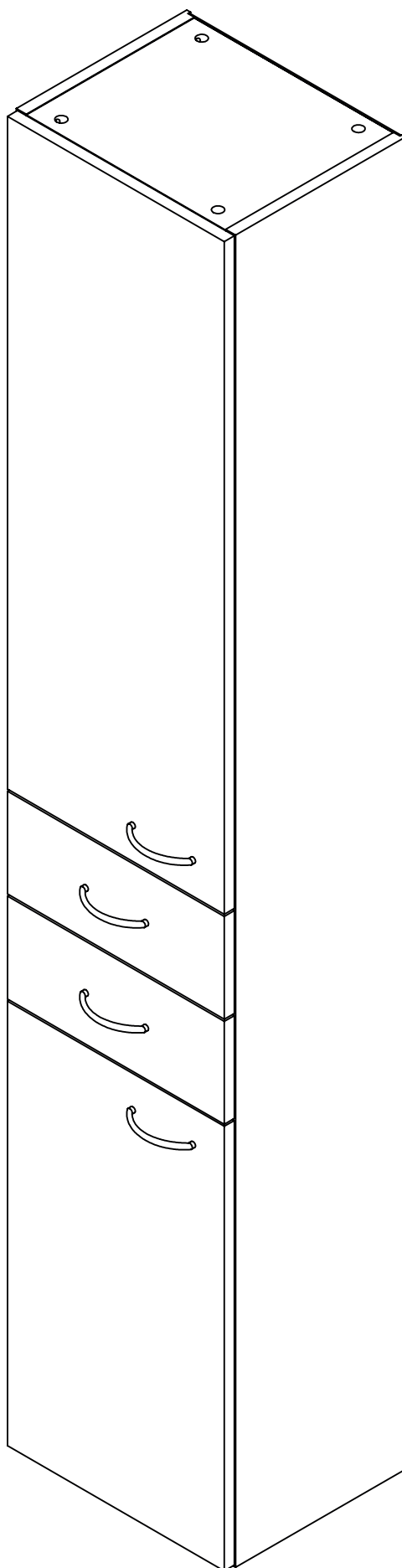
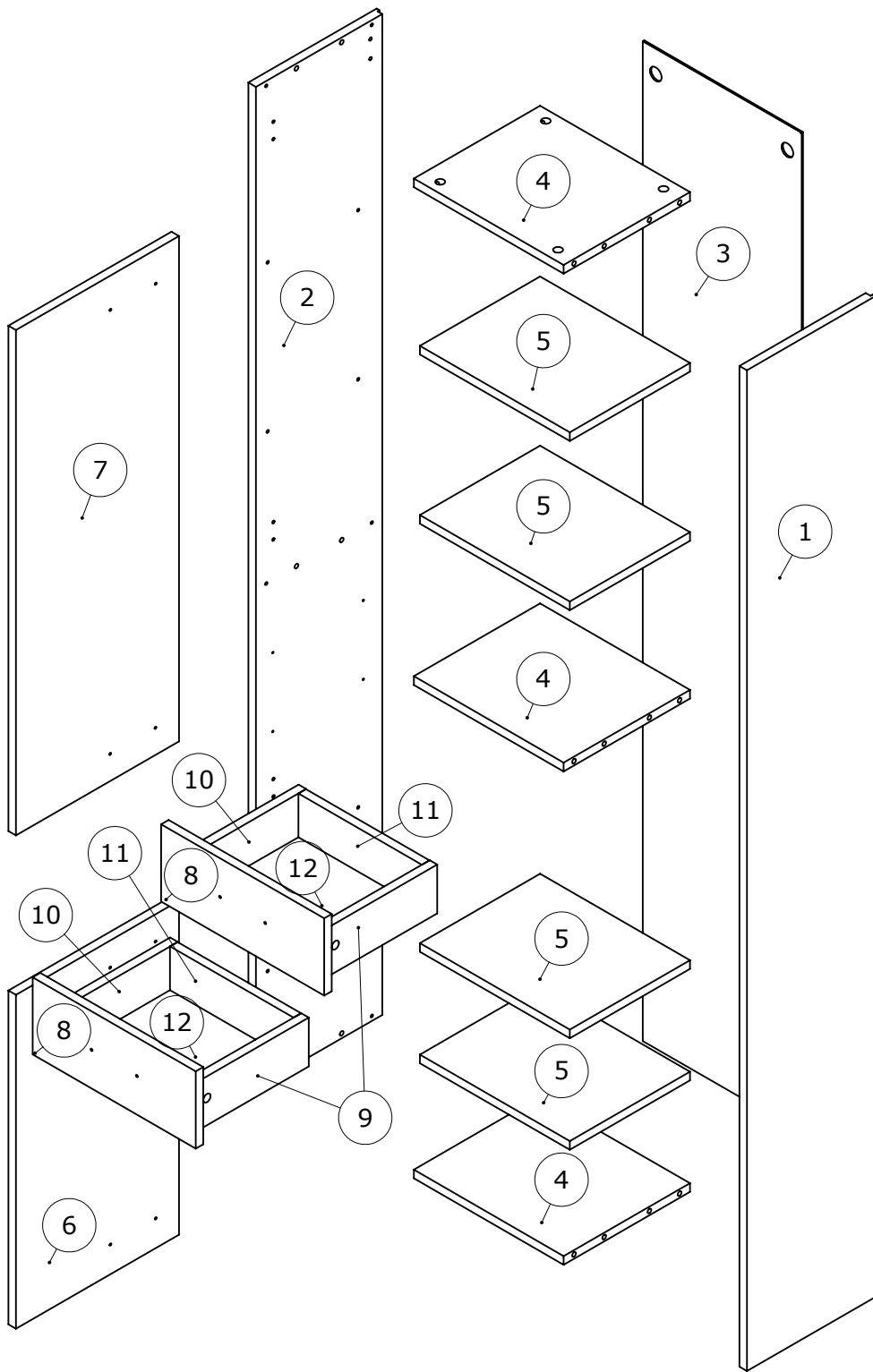


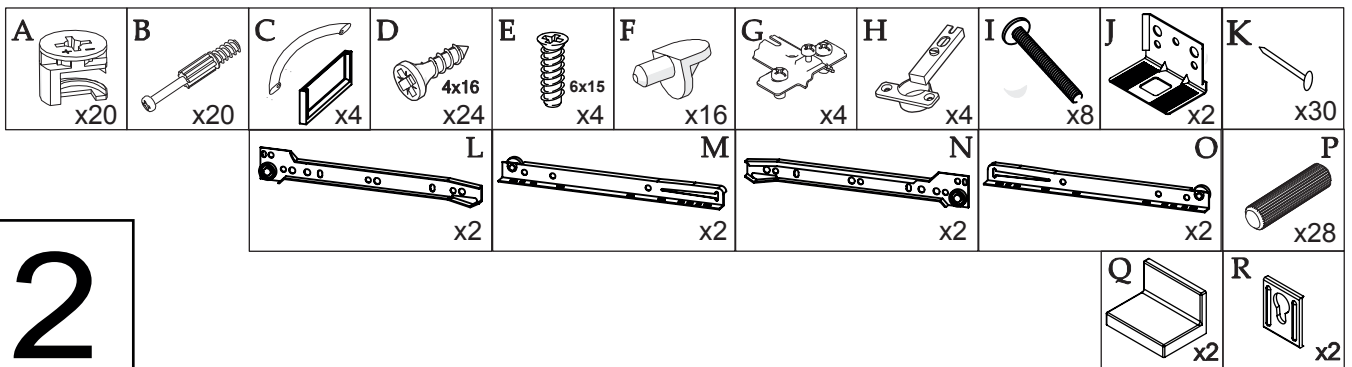
51220  
51221  
51222

**MONTÁŽNÍ NÁVOD**  
**ASSEMBLY INSTRUCTION**

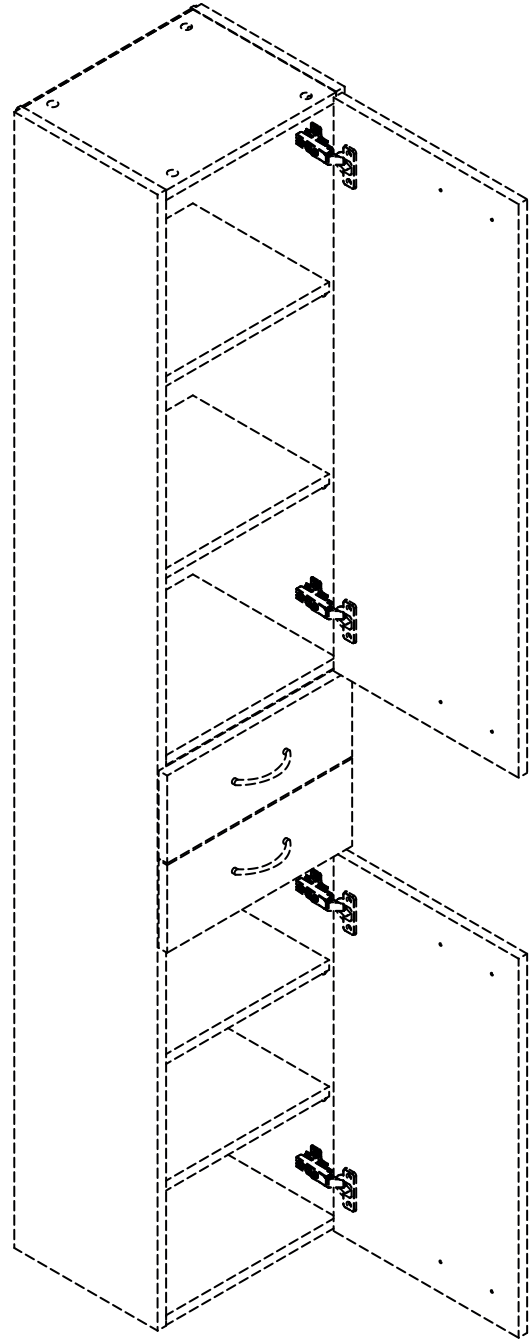
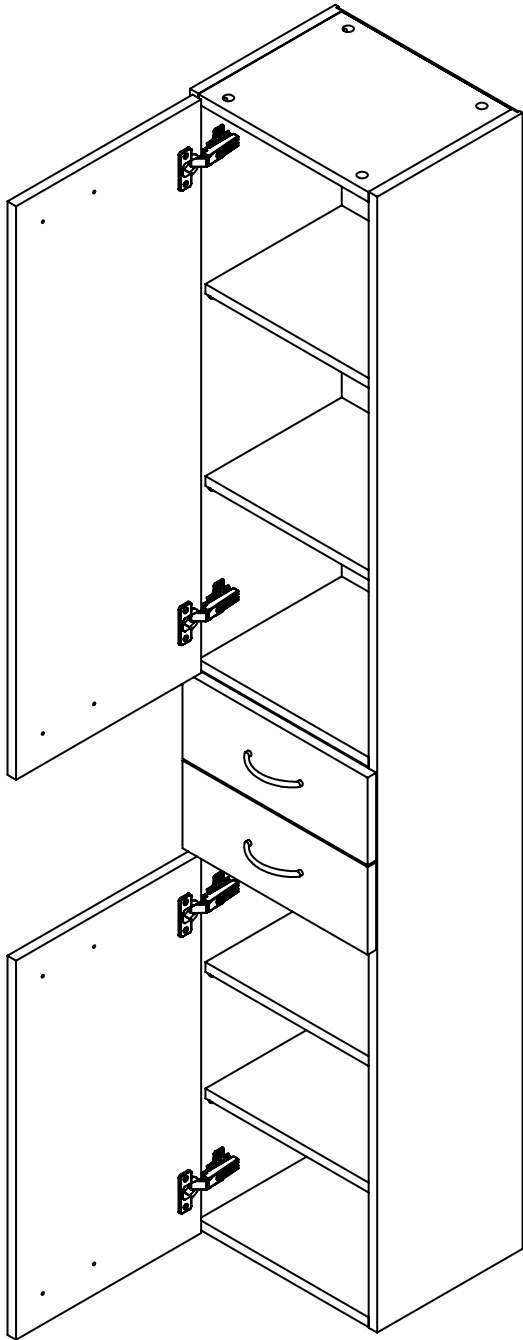


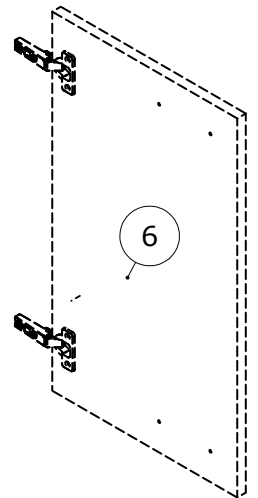
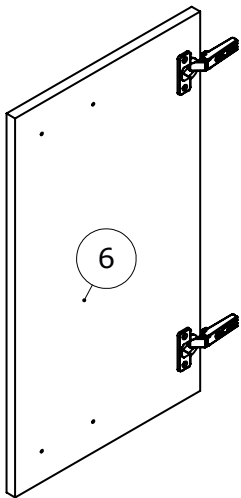
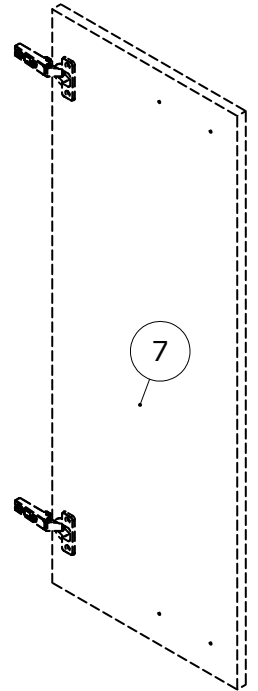
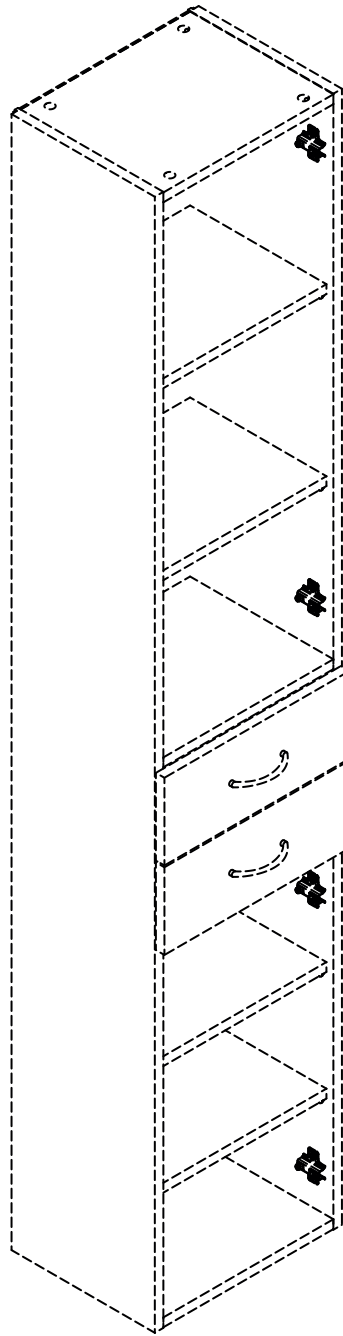
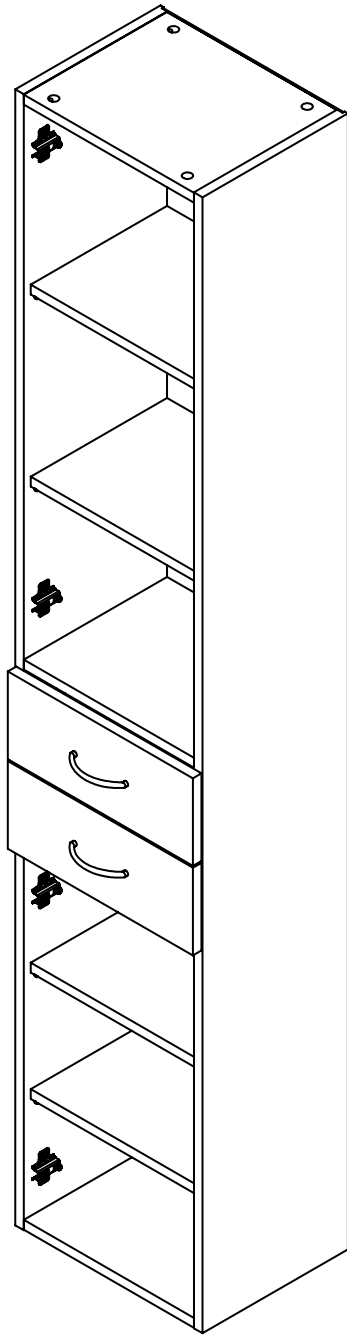
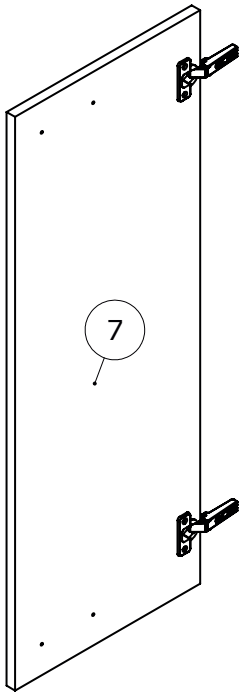


<b>1</b>	<b>x1</b>	<b>1840x272x16</b>
<b>2</b>	<b>x1</b>	<b>1840x272x16</b>
<b>3</b>	<b>x1</b>	<b>1838x337x3</b>
<b>4</b>	<b>x3</b>	<b>318x268x16</b>
<b>5</b>	<b>x4</b>	<b>318x25x16</b>
<b>6</b>	<b>x1</b>	<b>614x346x16</b>
<b>7</b>	<b>x1</b>	<b>929x346x16</b>
<b>8</b>	<b>x2</b>	<b>346x142x16</b>
<b>9</b>	<b>x2</b>	<b>250x90x16</b>
<b>10</b>	<b>x2</b>	<b>250x90x16</b>
<b>11</b>	<b>x2</b>	<b>262x90x16</b>
<b>12</b>	<b>x2</b>	<b>272x244x3</b>

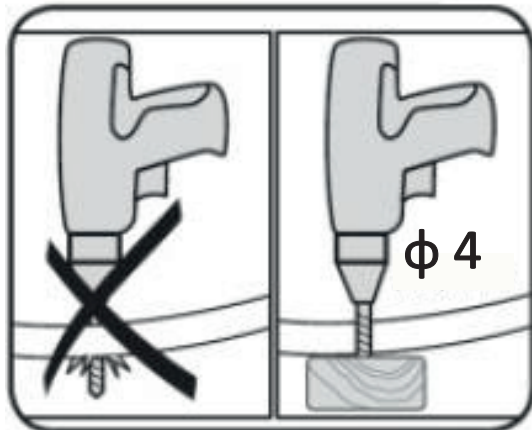
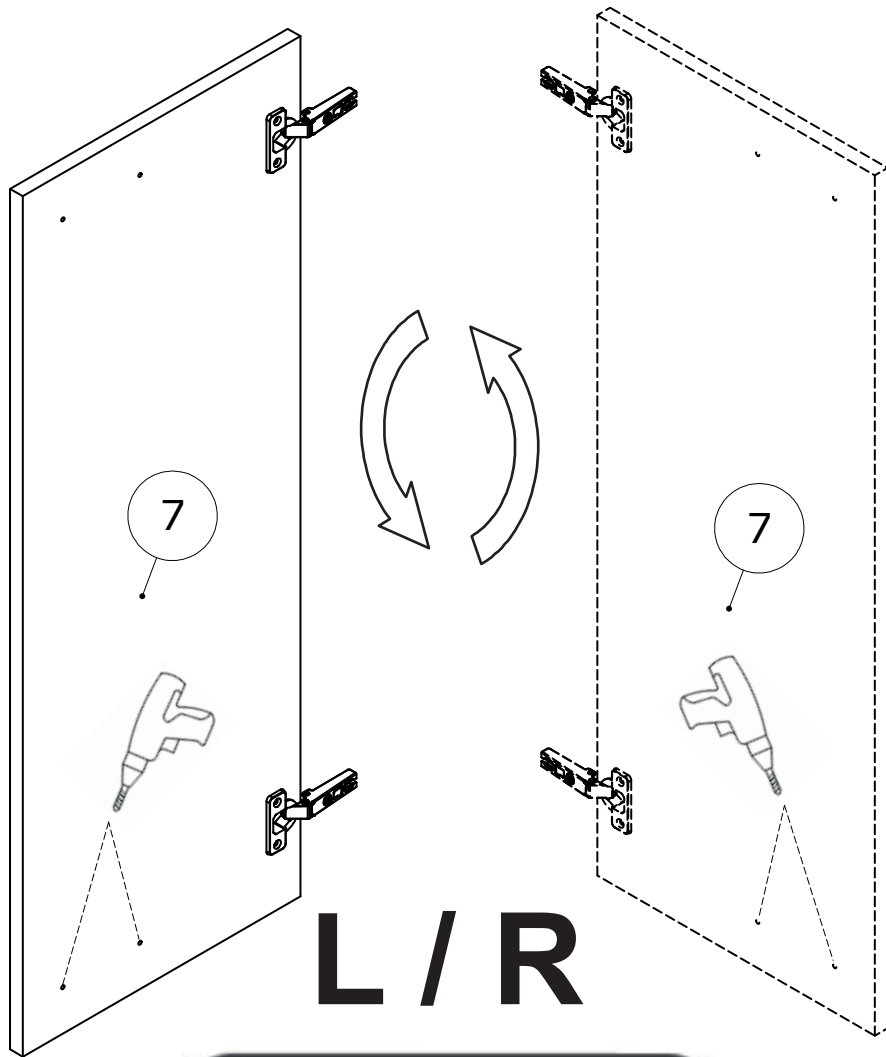


**2**

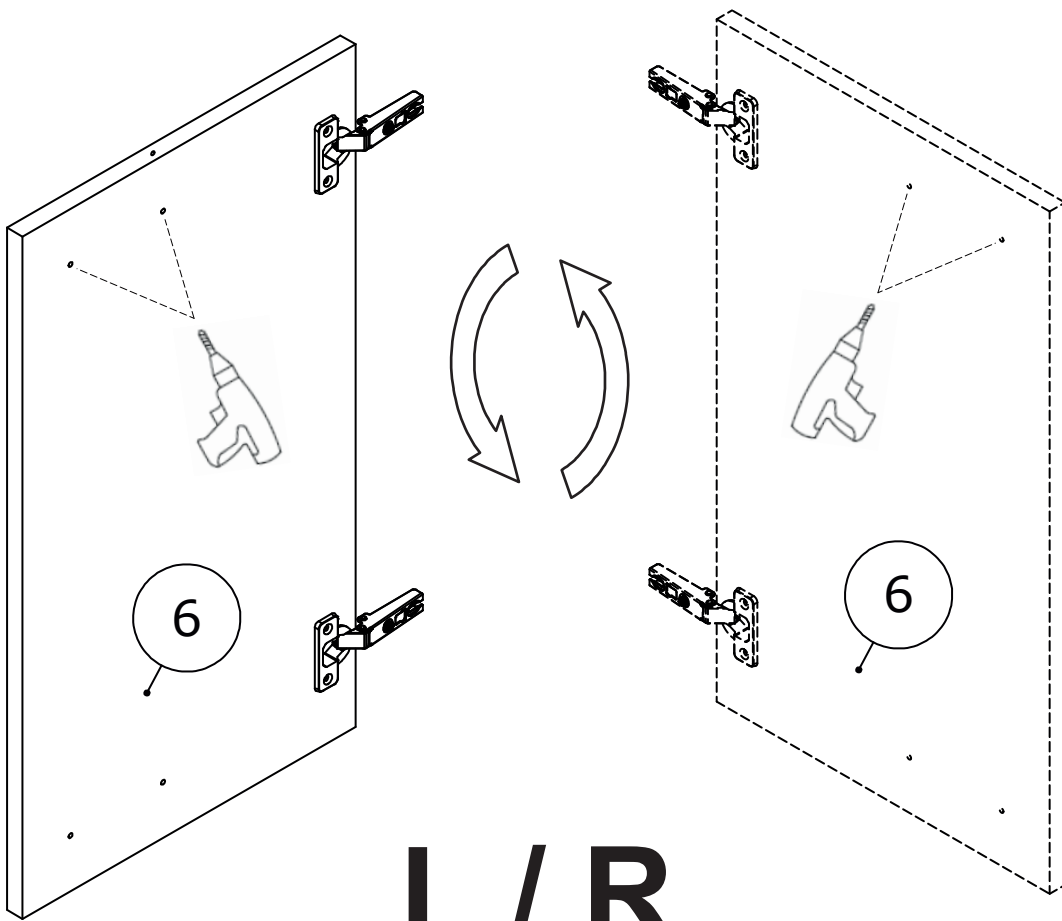




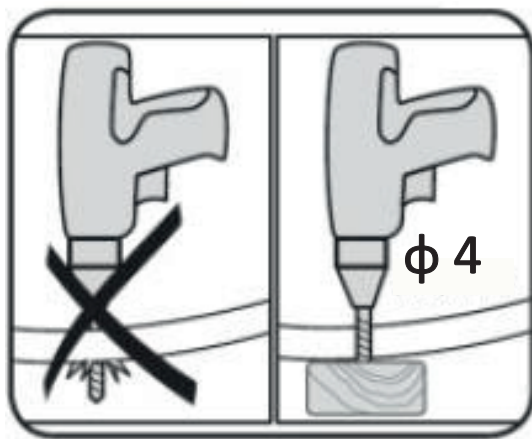
4



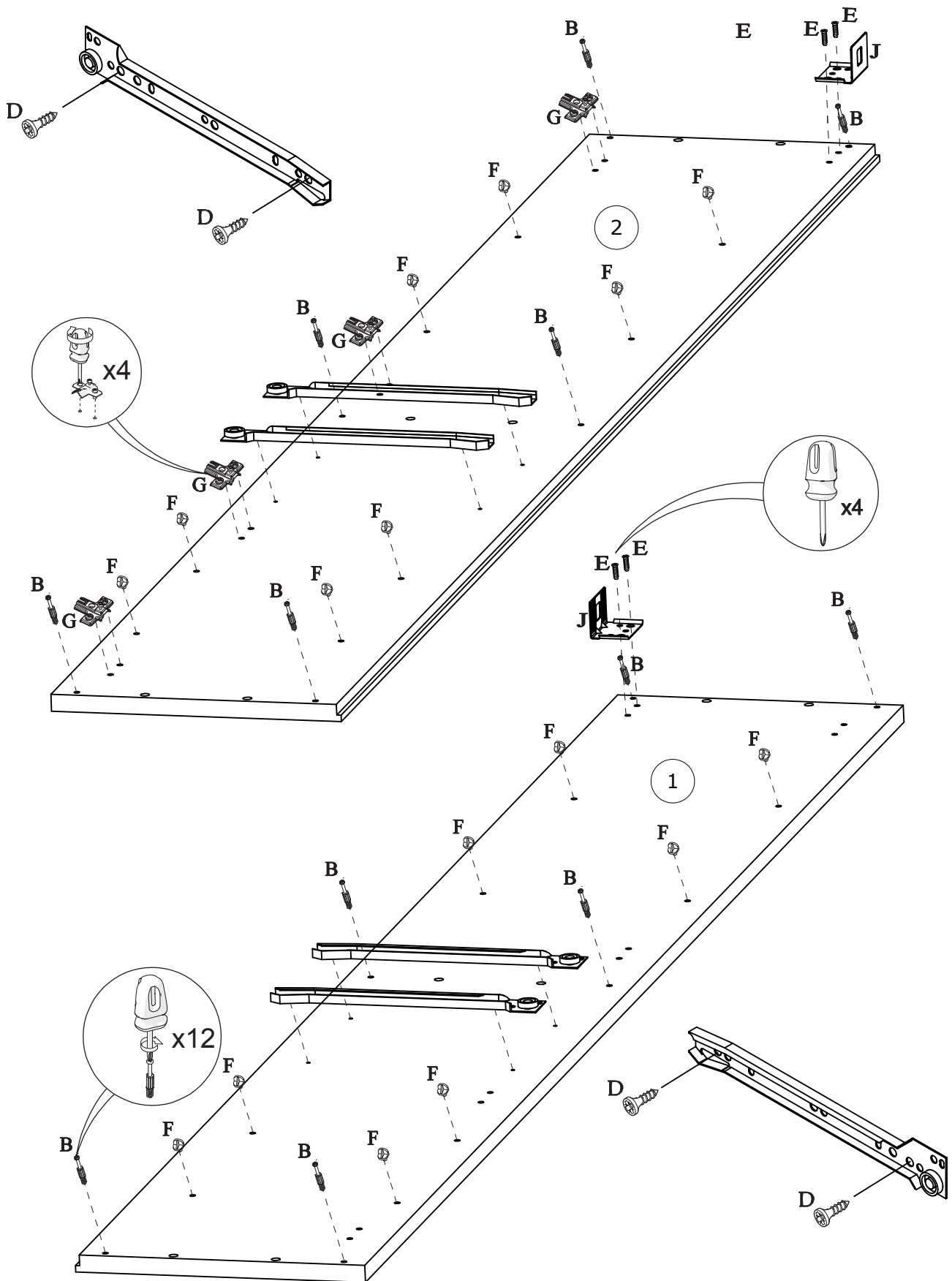
5



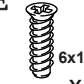
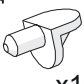



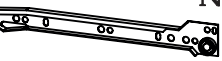


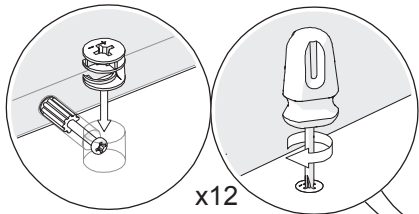
L / R



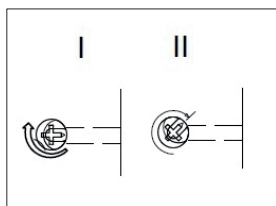
6



 <b>B</b> x12	 <b>D</b> 4x16 x8	 <b>E</b> 6x15 x4	 <b>F</b> x16	 <b>G</b> x4	 <b>J</b> x2
 <b>L</b> x2		 <b>N</b> x2			

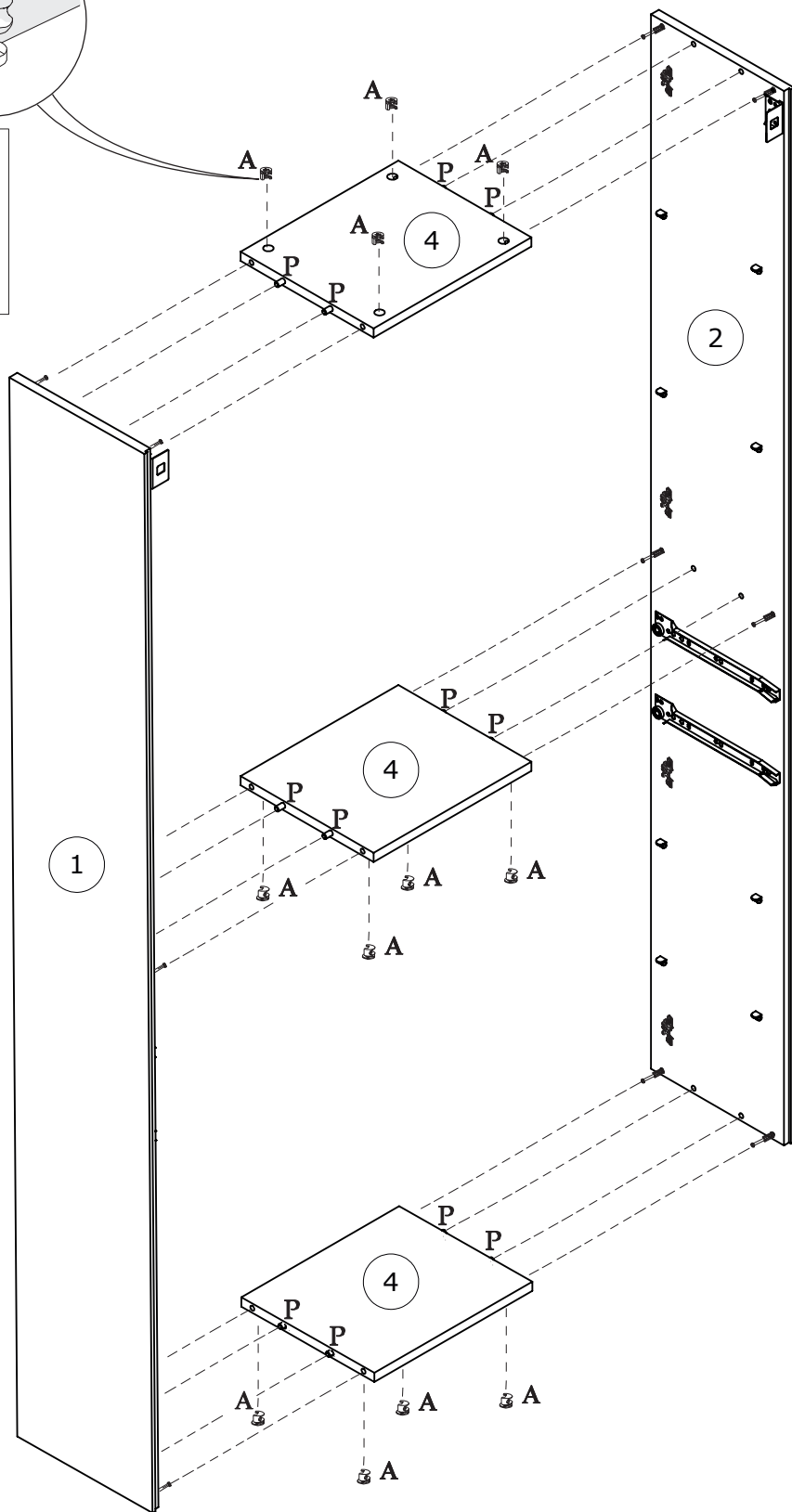


x12

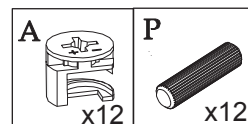


I

II



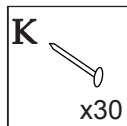
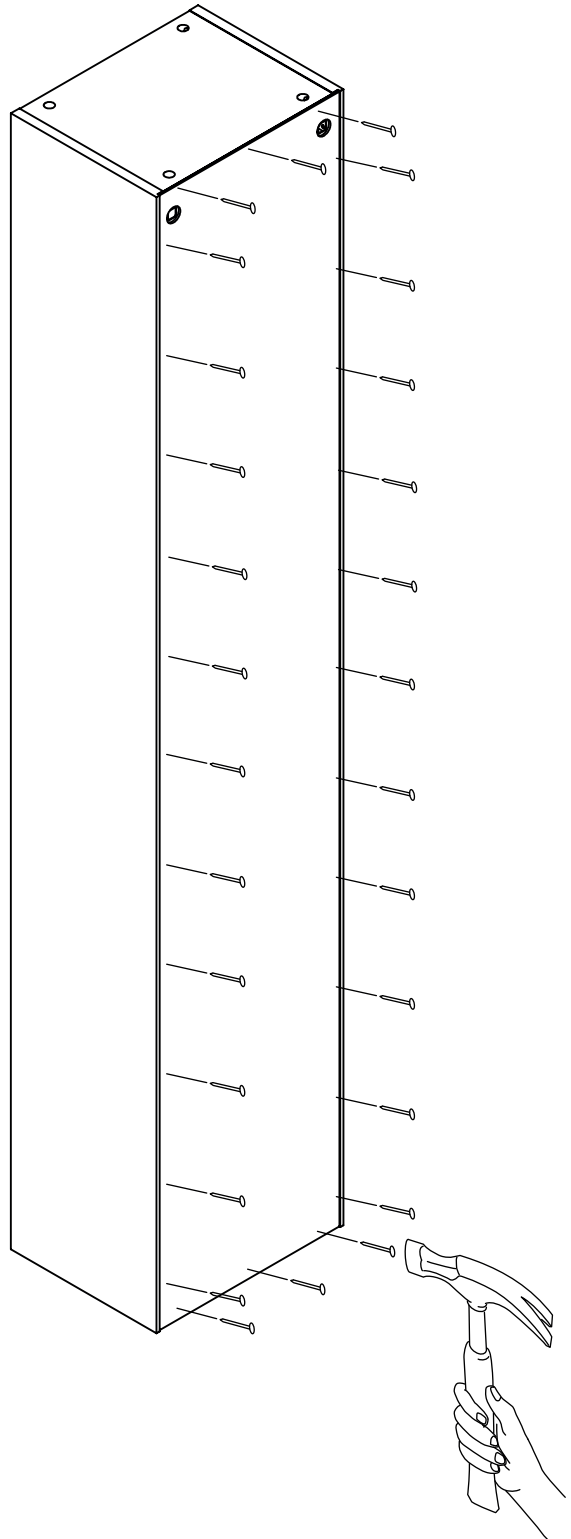
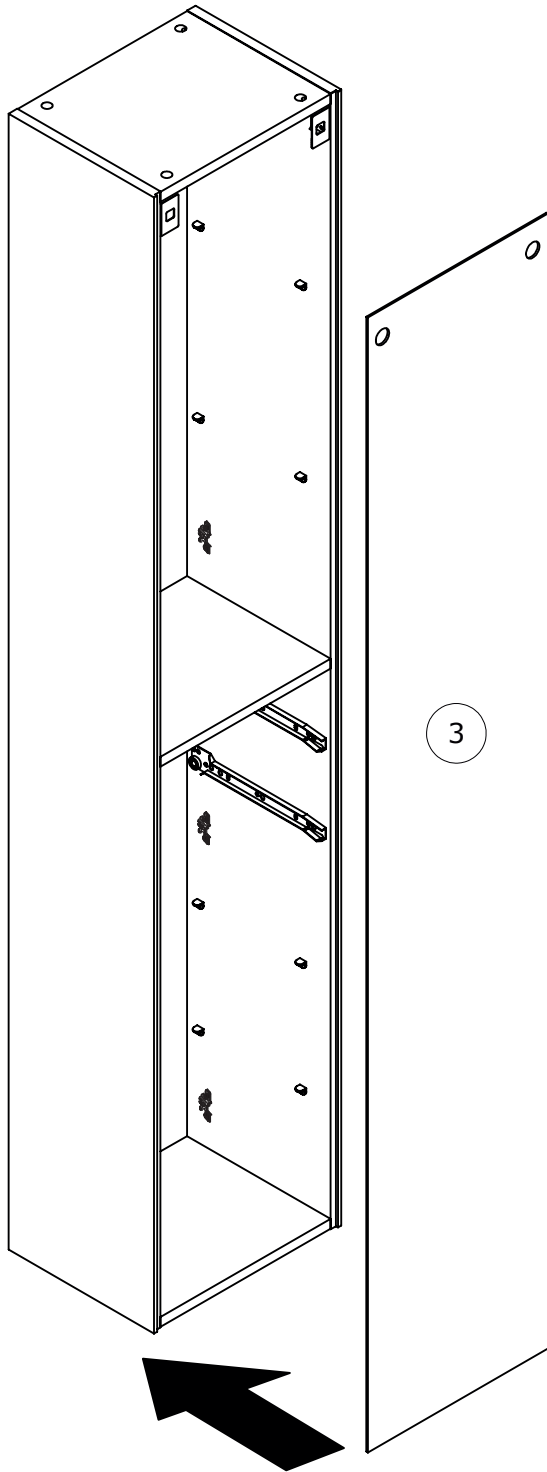
8



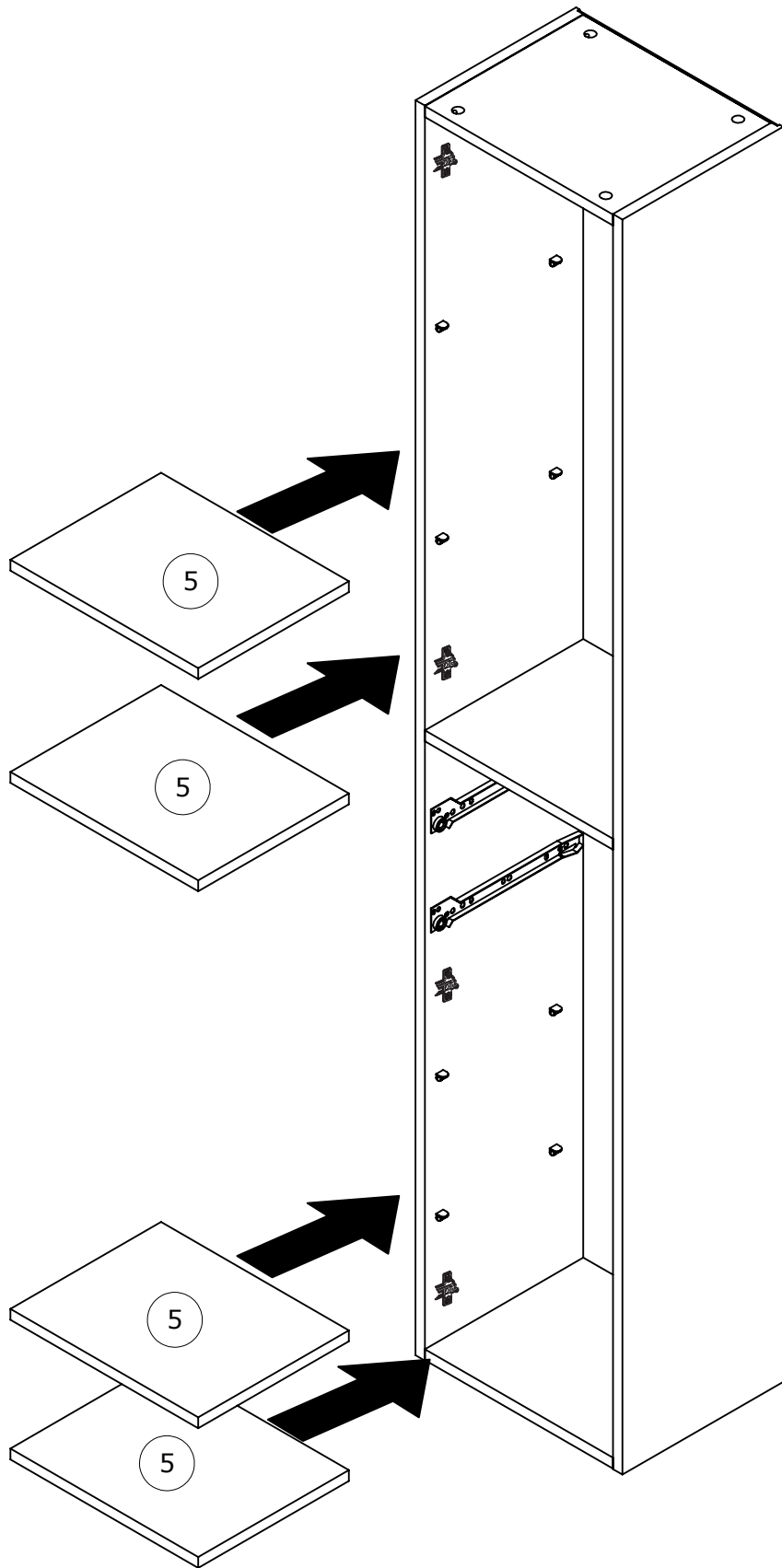
x12

x12

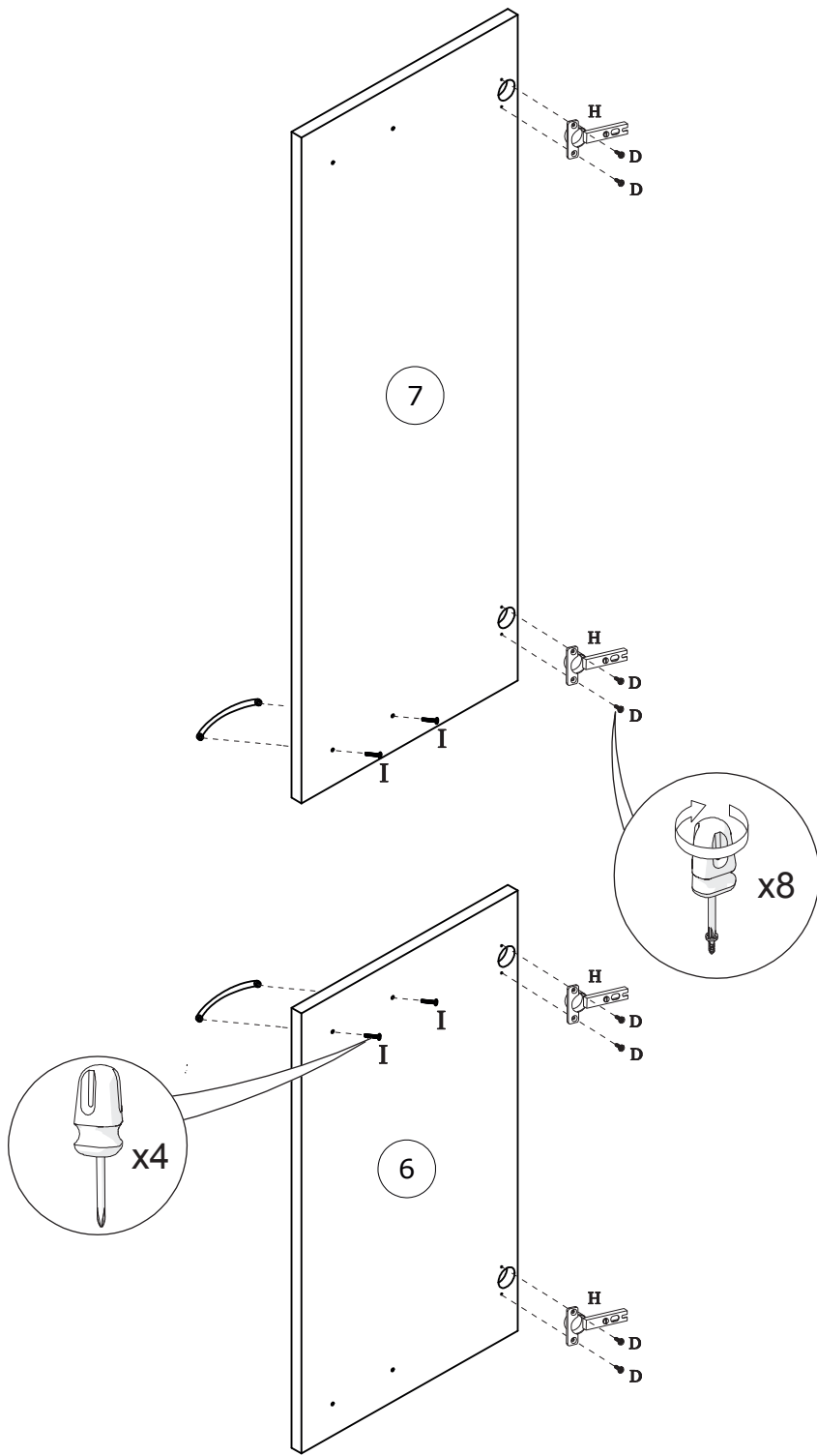








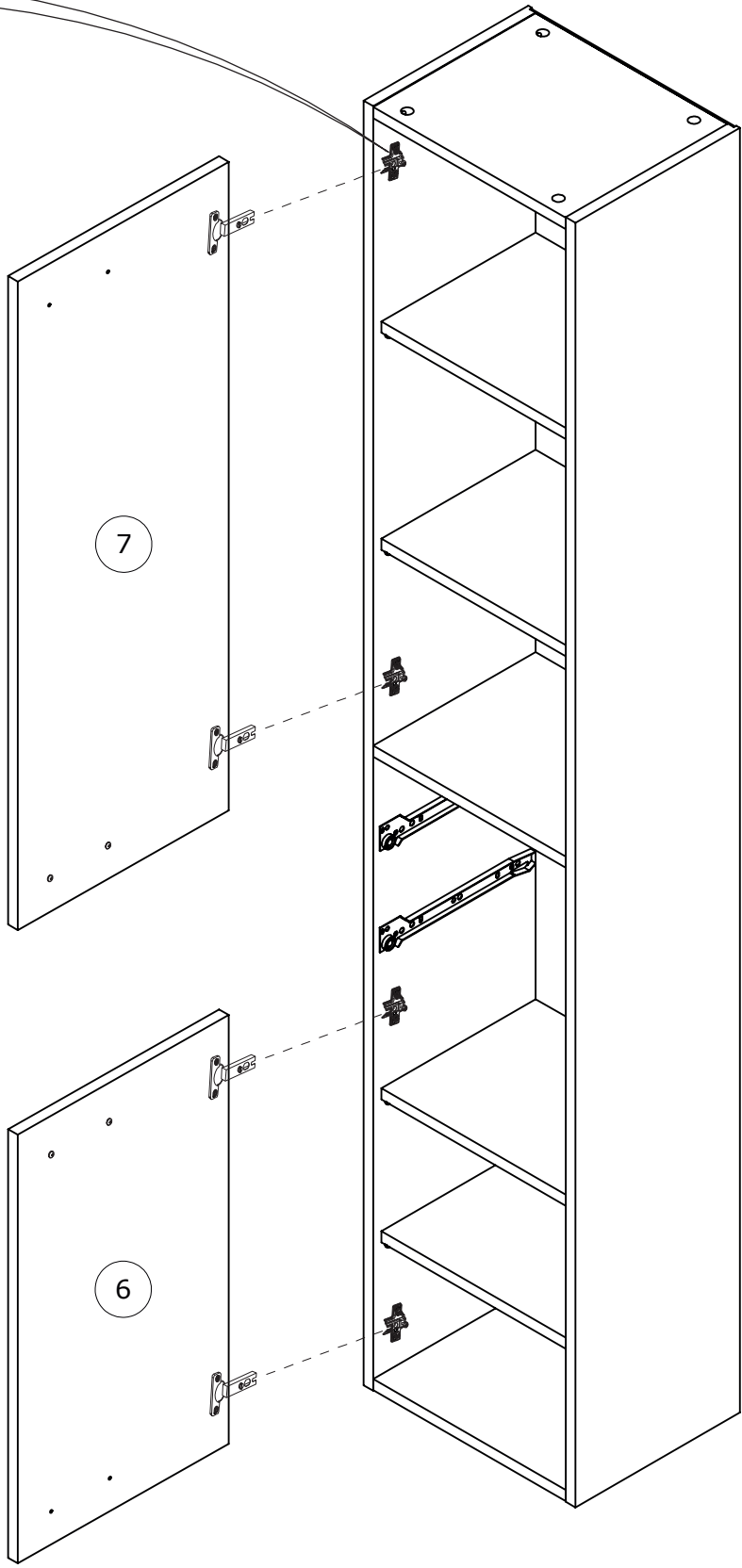
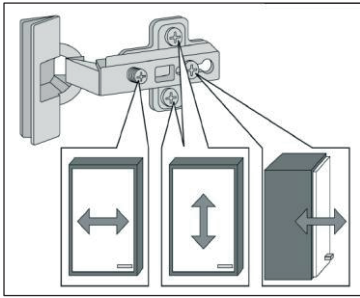
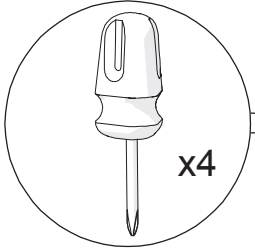
9



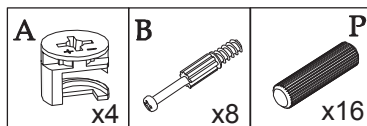
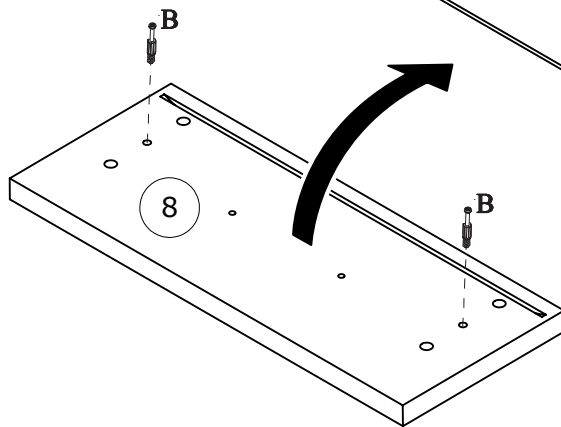
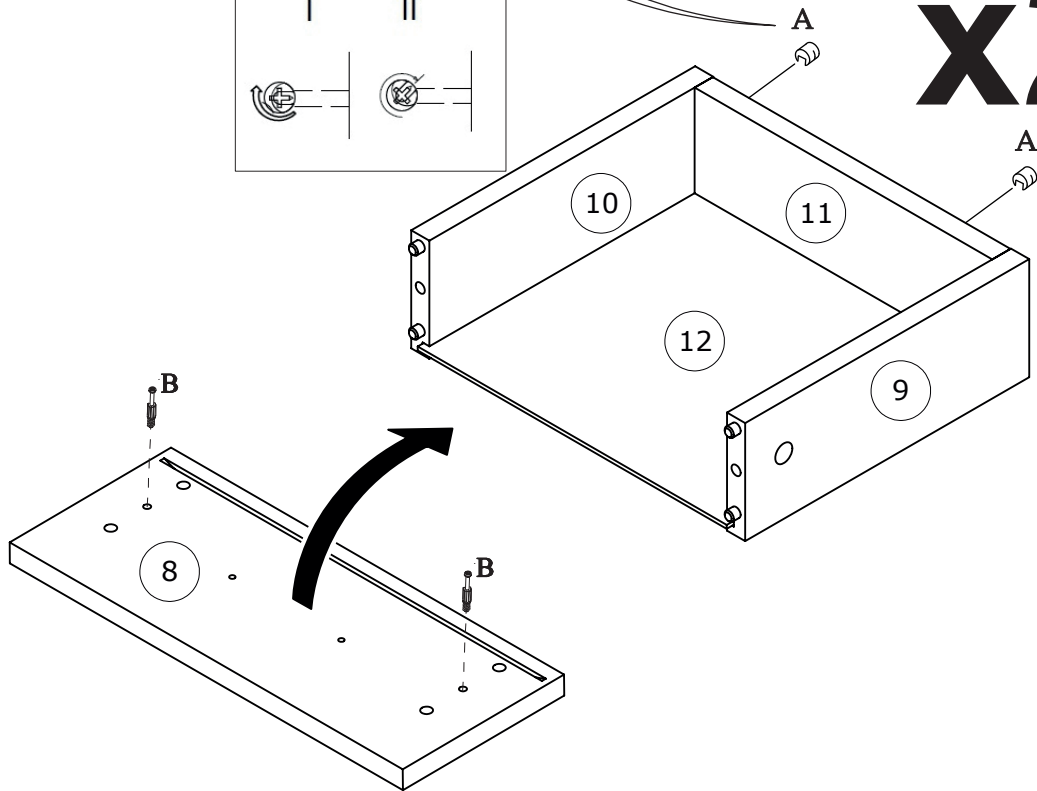
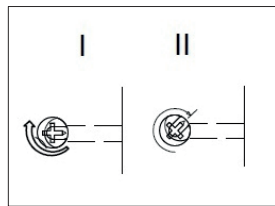
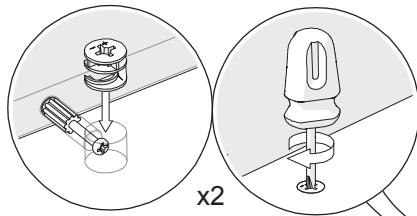
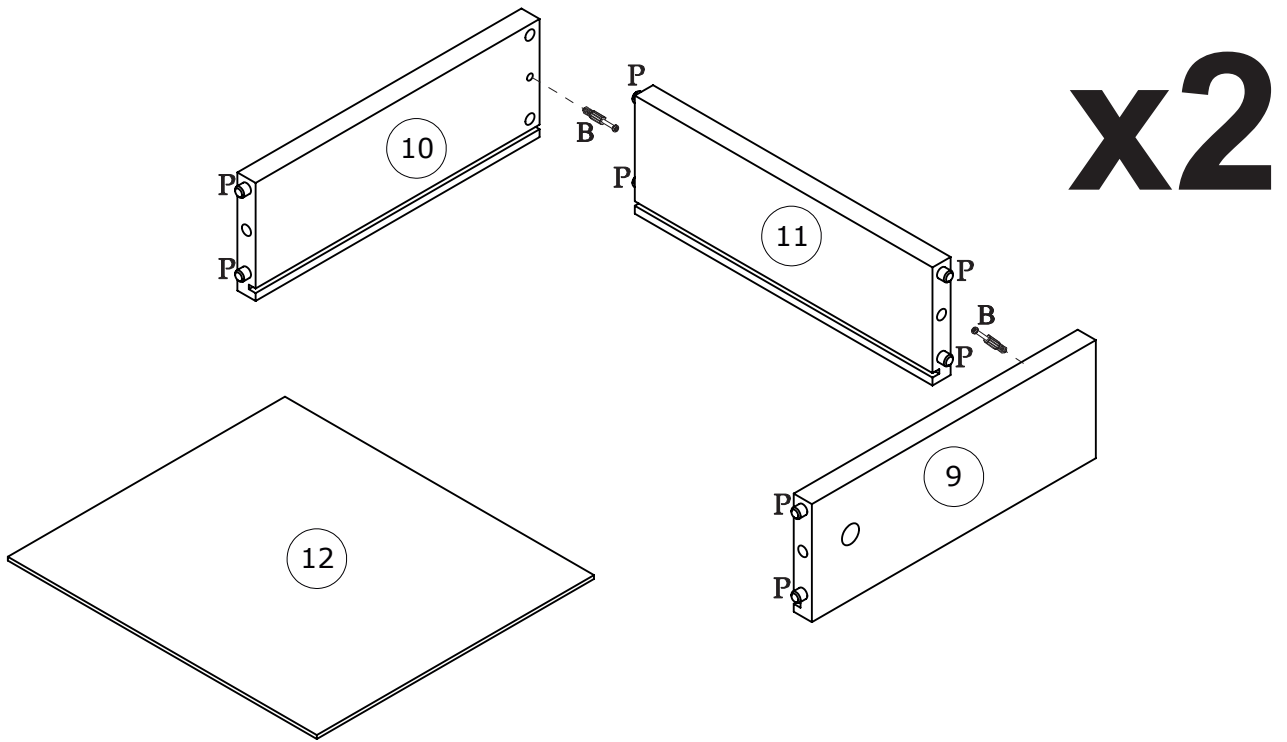
10



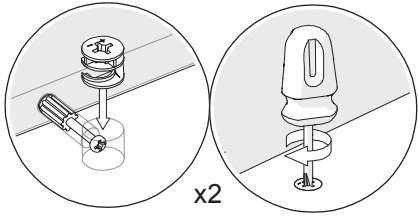
 <p>C x2</p>	 <p>D 4x16 x8</p>	 <p>H x4</p>	 <p>I x4</p>
---	--	---	--



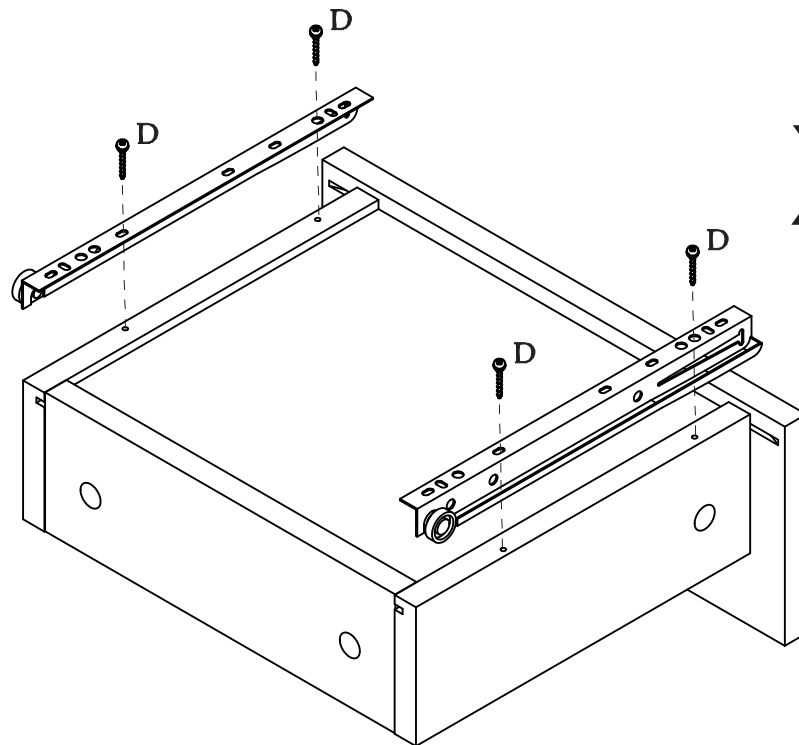
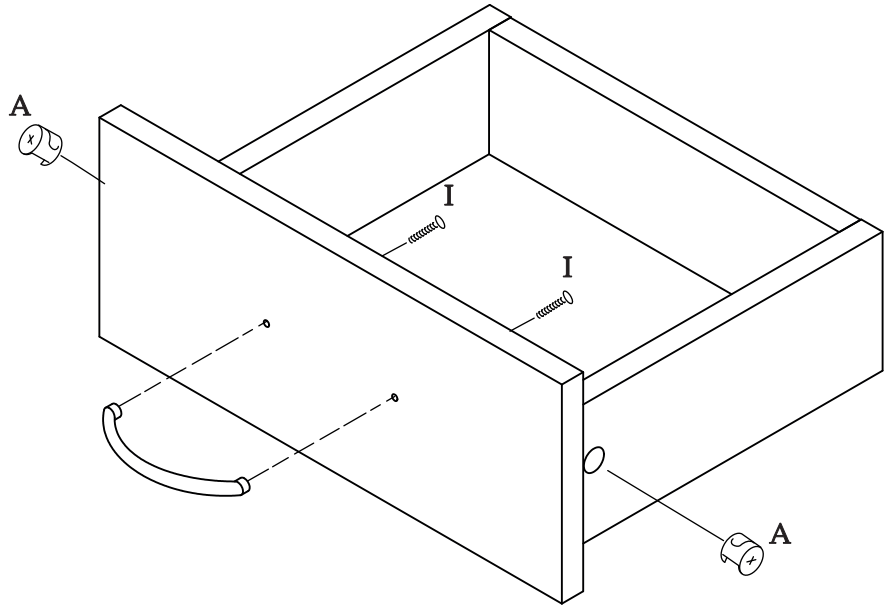
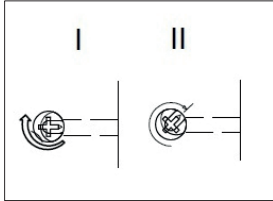
12



13

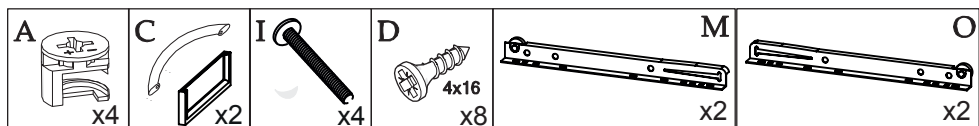


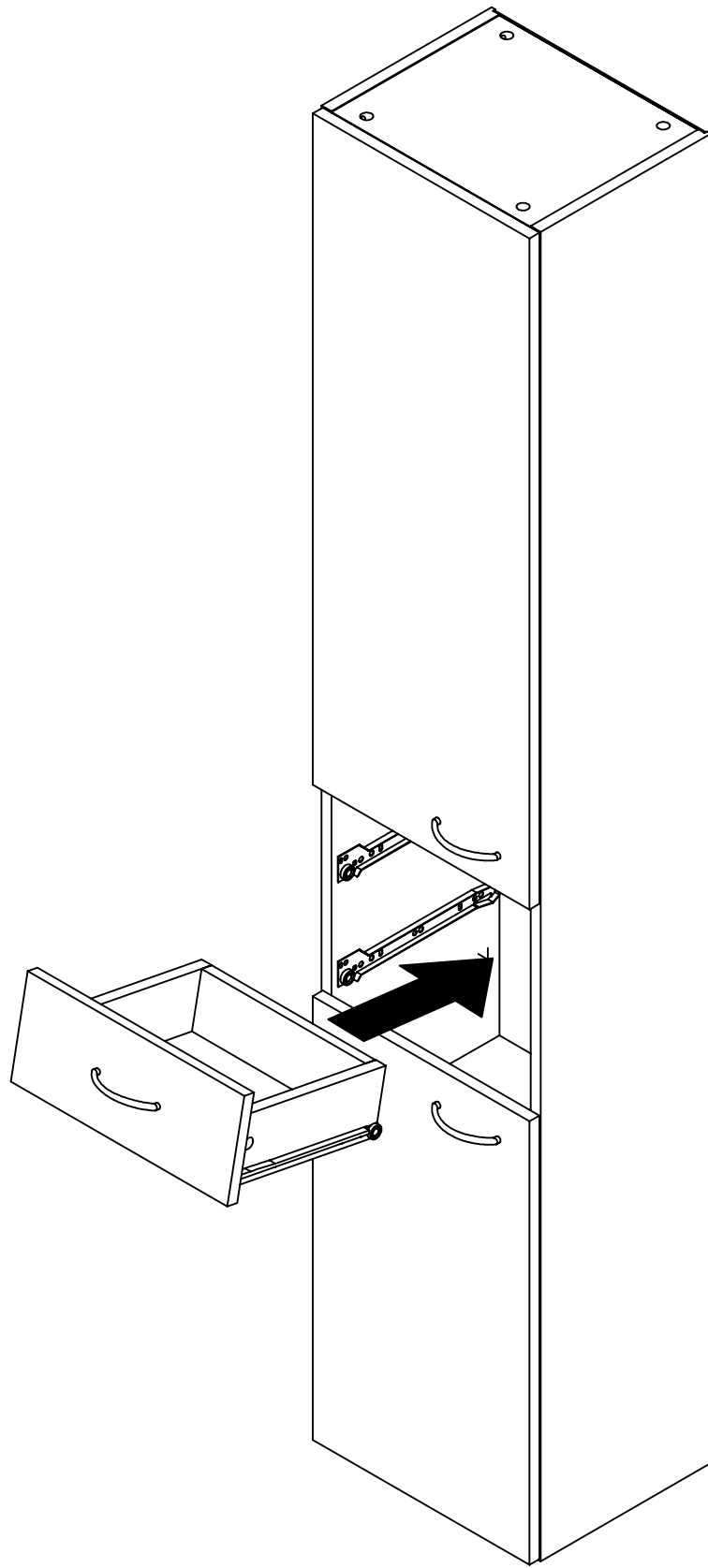
**x2**

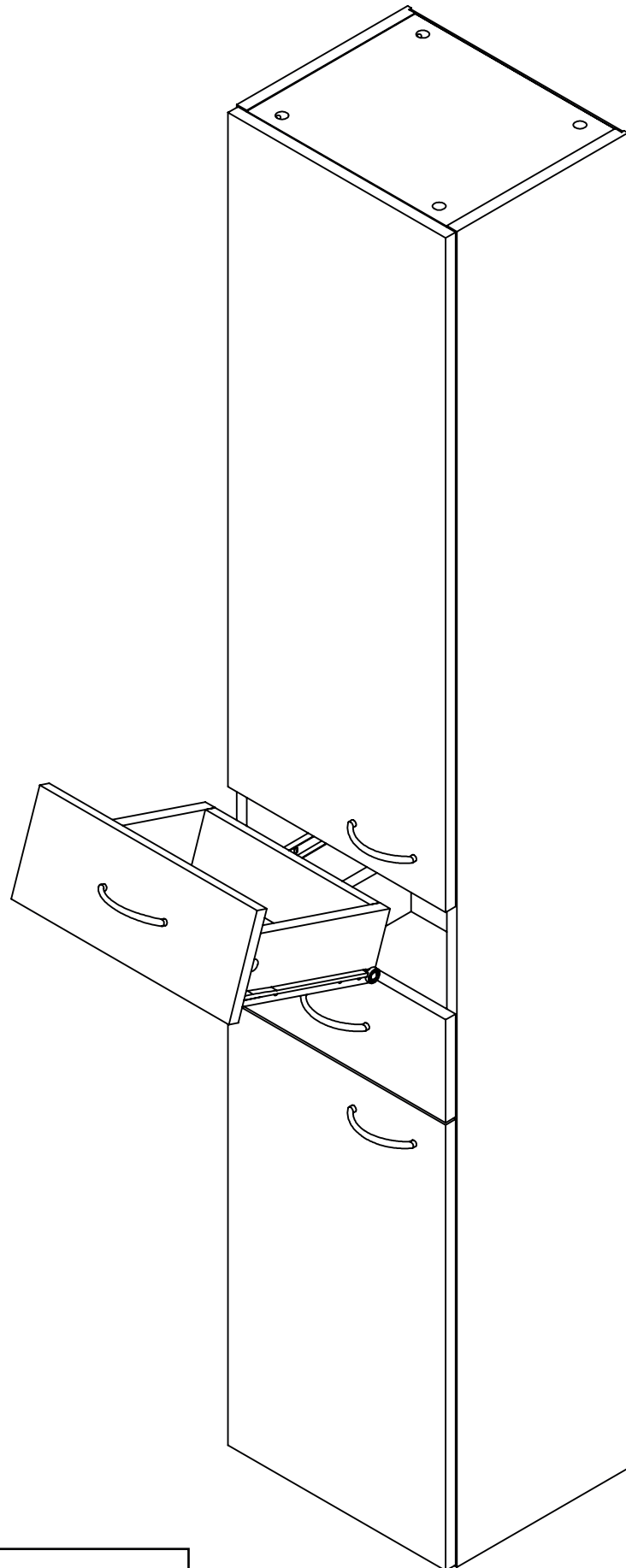


**x2**

**14**

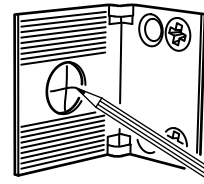






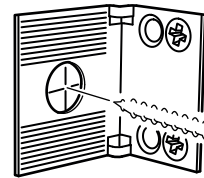
16

2x



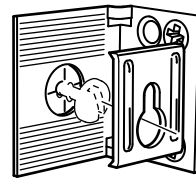
J

1



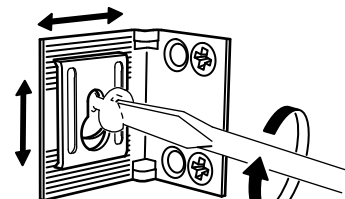
J

2



J+R

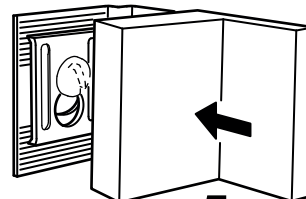
3



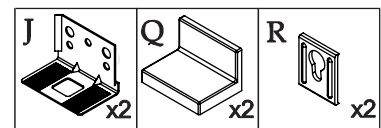
J+R

4

J+R+Q



5



17