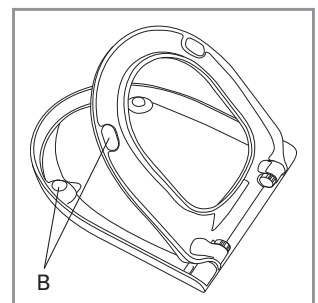
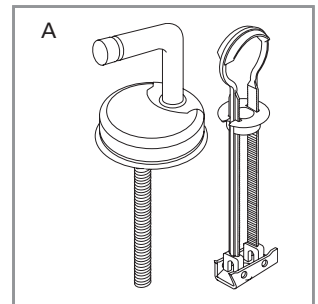
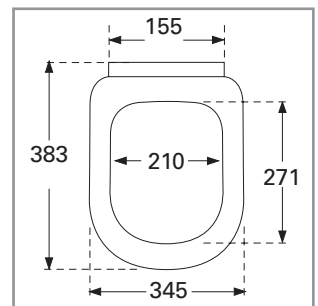




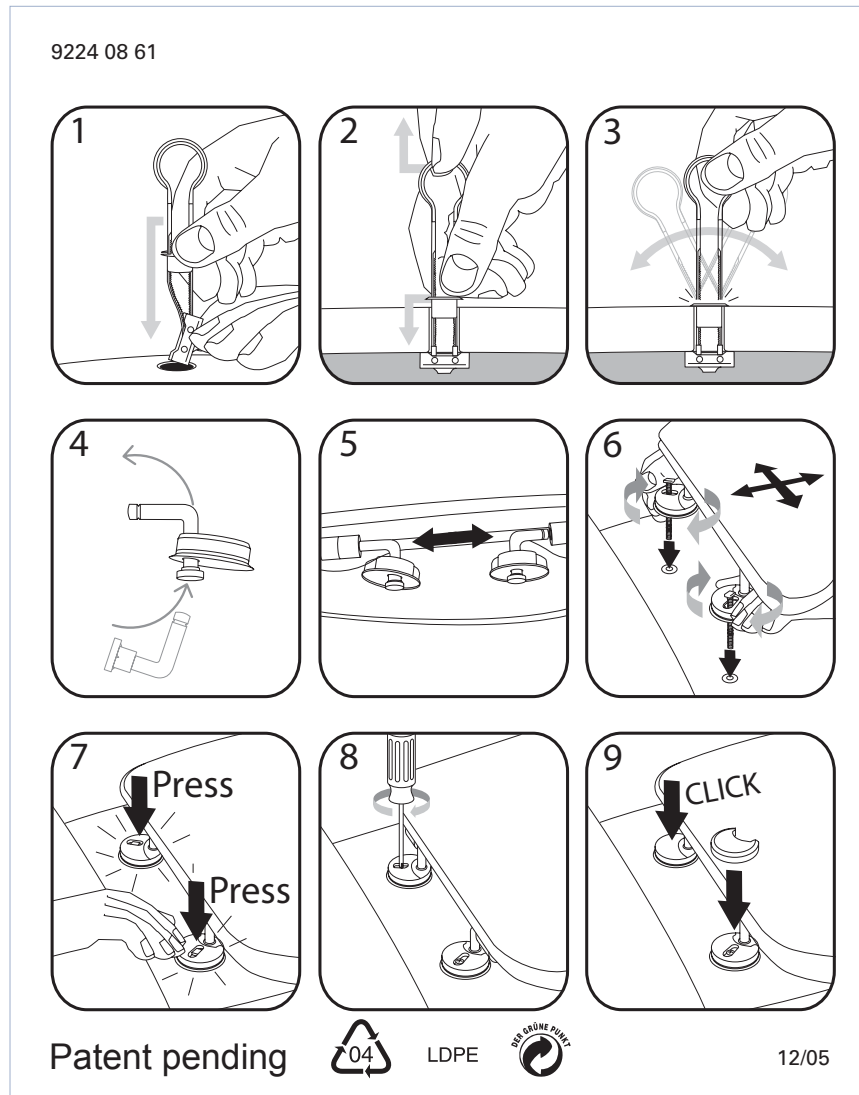
Toilet seat Subway Compact

Model	9M6661 Subway Compact toilet seat, incl. 9224 08 61 universal top mounted toggle hinge
Product Description	Subway Compact toilet seat in Wrap Over design made of colour ingrained duroplast with hinge in stainless steel and plastic - incl. universal top mounted toggle hinge in stainless steel - centre distance: 155 mm - load of ring seat: 240 kg - 10 year guarantee
Colour Programme	01 White (Alpin) R2 Star White R3 Pergamon
Hinge Finish	61 Stainless steel
Spare Parts	A) 9224 08 61 Universal top mounted toggle hinge B) 9220 81 00 Buffers for seat and cover
Cleaning Instructions	Use a mild soap solution. Seat and hinge should not be left damp, but be dried with a soft cloth. When using abrasive, corrosive or chlorine based cleaners for the bowl, avoid contact with seat and hinge as it may lead to damages or flash rust. Therefore, when cleaning the bowl, make sure that seat and cover are in an upright position until all the cleaner has been flushed away



Toilet seat Subway Compact

Instruction manual



[Click here for video](#)

Material Description

TOILET SEAT: The material is colour ingrained duroplast (UF A 10 = urea formaldehyde) that contains no environmentally hazardous substances. UF plastic comprises 67% urea formaldehyde resin, 28% cellulose, as well as 5% minerals, pigments, lubricants and moisture content. The raw material from the supplier contains less than 0,03% formaldehyde after a special curing process.

BUFFERS: EVA (copolymer made of ethylene and vinyl acetate).

DAMPER KIT: Hydraulic damper with stainless steel damper casing and plastic parts.
Damper liquid: Anti-friction liquid.

MOUNT/HINGE: Stainless steel.

Guarantee

The guarantee includes faults or defects in the material of our products within a periode of 10 years. Products subject to minor technical modifications and design deviations E. & O.E.