

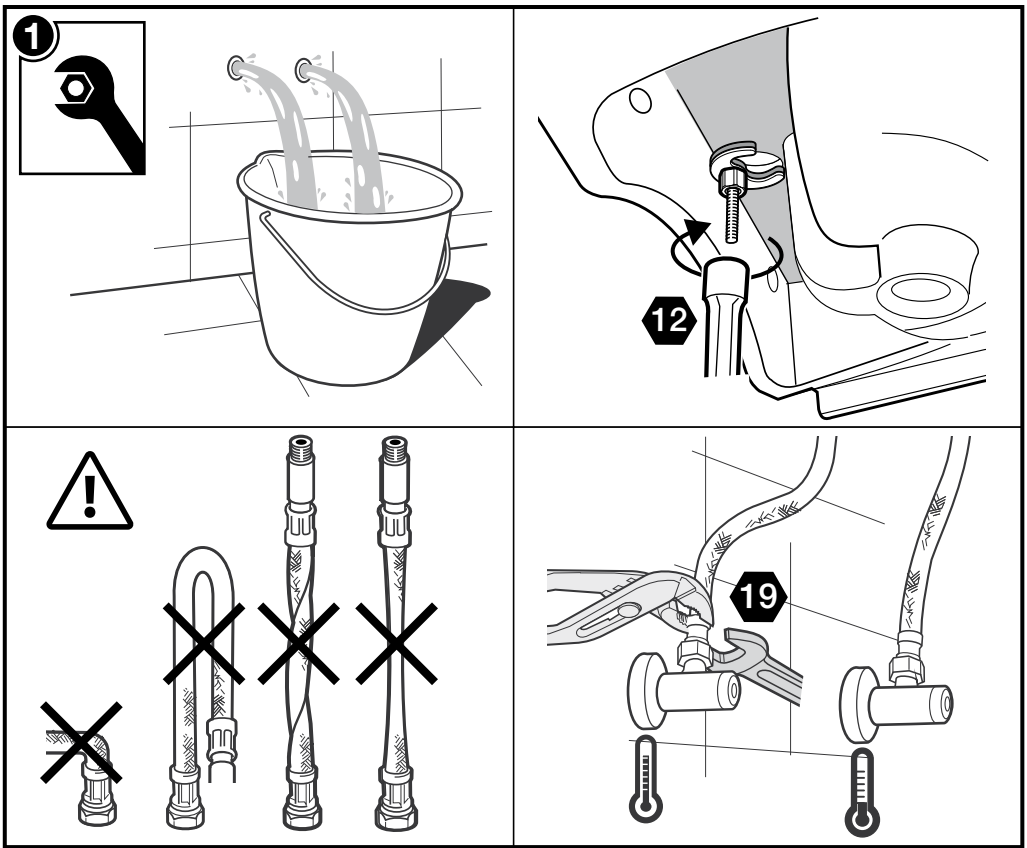


















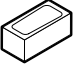
**Roca**

# ATLAS







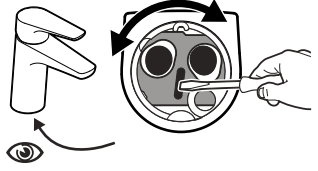
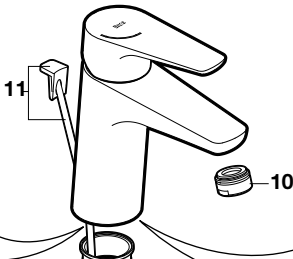
 <b>P</b> 	<b>P</b> bar	 <b>MAX</b> 10	
 <b>P</b> 	<b>P</b> bar	<b>MIN</b> 1  <b>5 MAX</b>	 <b>3</b> <b>2</b> 
  <b>T</b>	<b>°C</b>	 <b>80 MAX.</b>	 <b>65</b> <b>50</b> 
 <b>Q</b> (3 bar)	<b>l/min</b>	 <b>8</b>	 <b>5</b> <b>1,7</b> A5A3290C0D  <b>20</b>



A5A3090

A5A3190

A5A3290



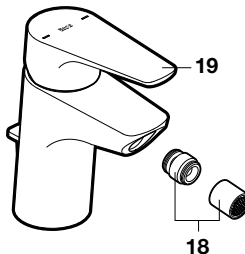
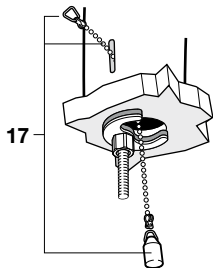
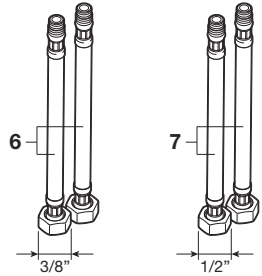
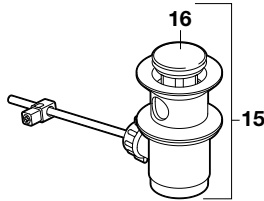
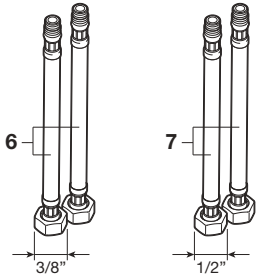
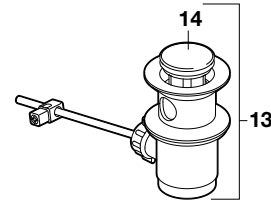
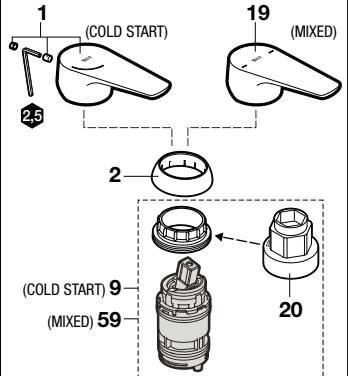
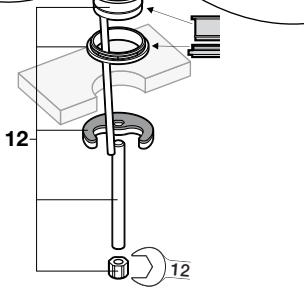
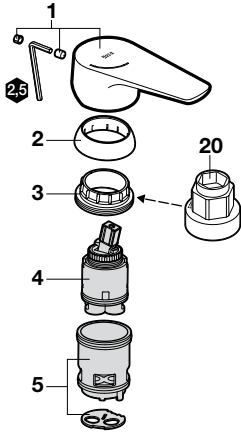
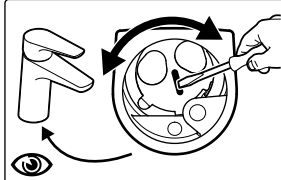
A5A3090

A5A3190

A5A3290

A5A3090..M

A5A3290..M



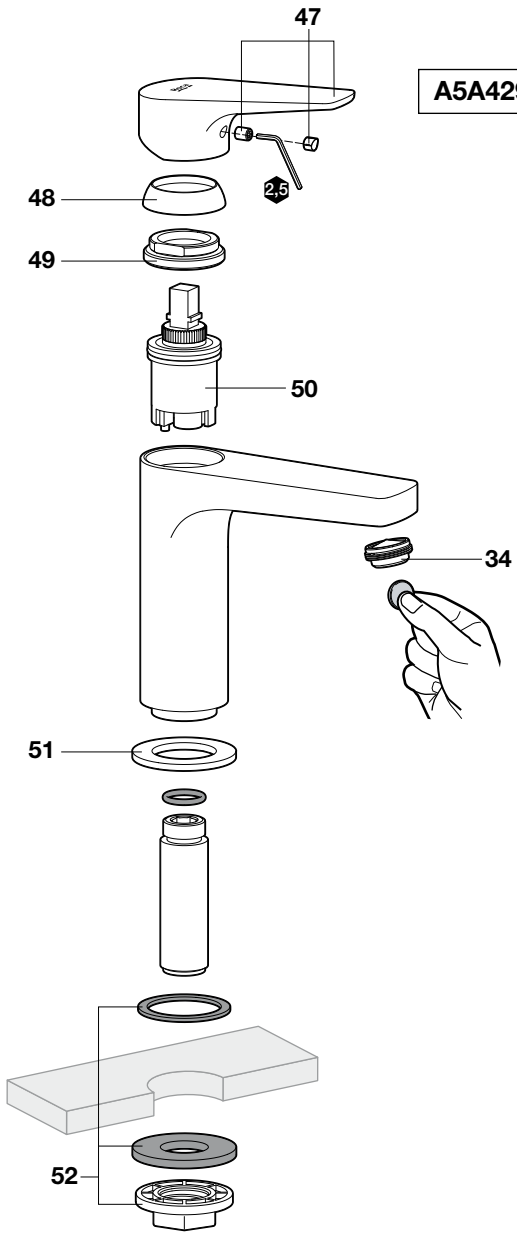
A5A6090

A5A6190

3



A5A4290..T

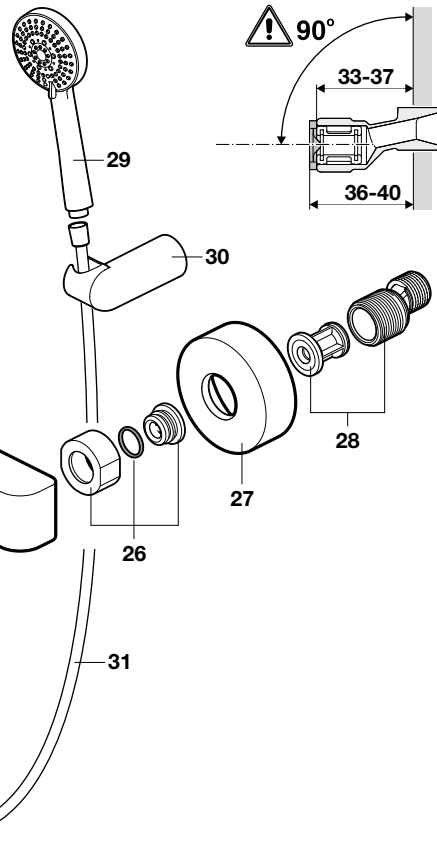
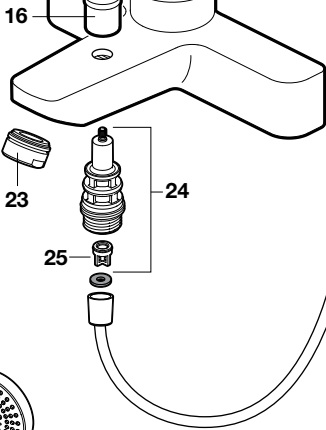
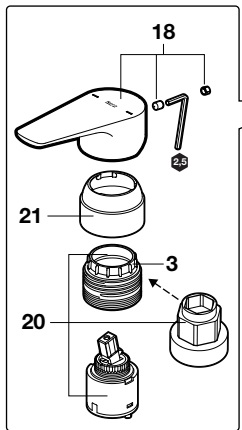
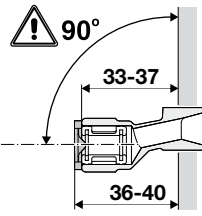


4



A5A0190

A5A0290

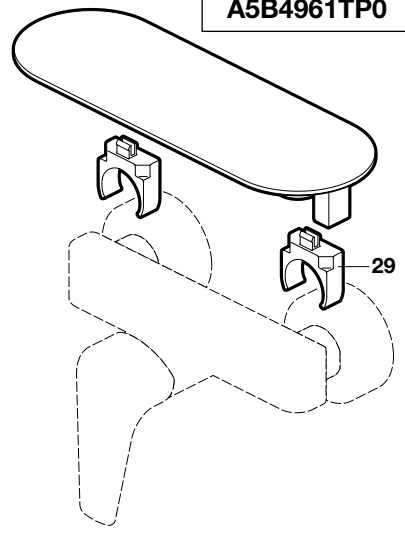
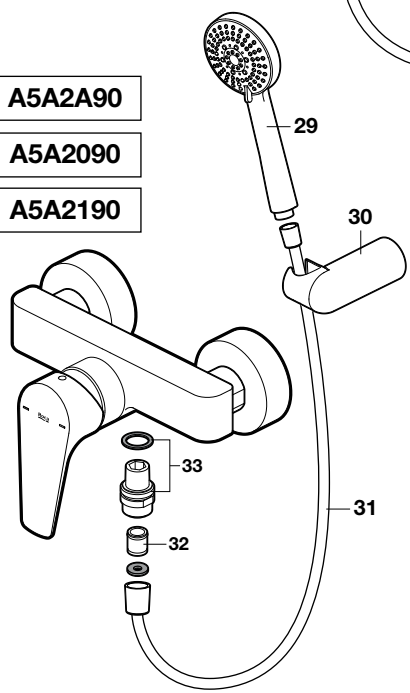


A5A2A90

A5A2090

A5A2190

A5B4961TP0

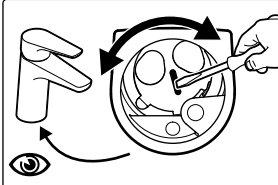
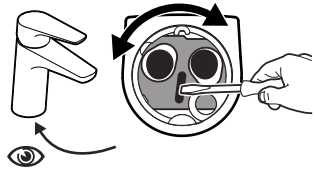
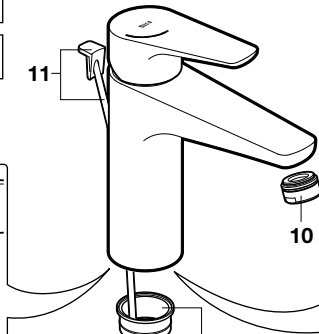


5



A5A3390

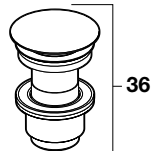
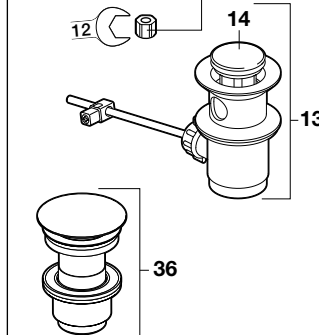
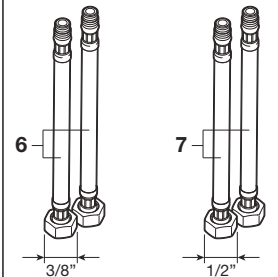
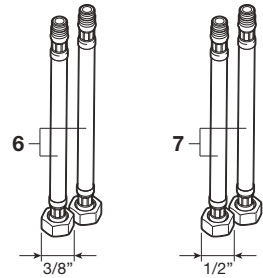
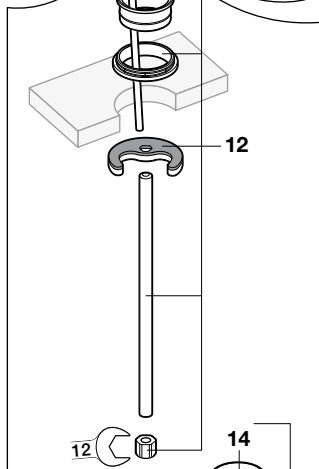
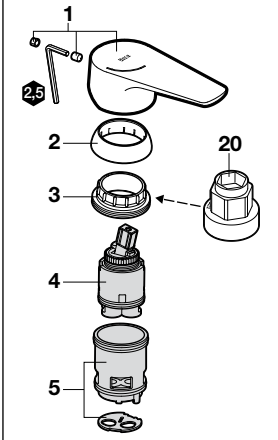
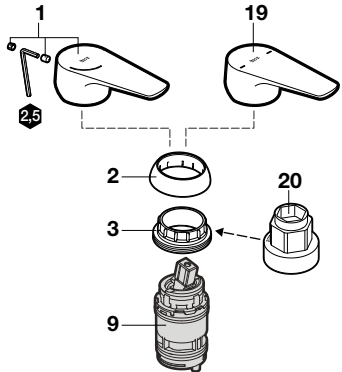
A5A3990



A5A3390

A5A3990

A5A3790..M

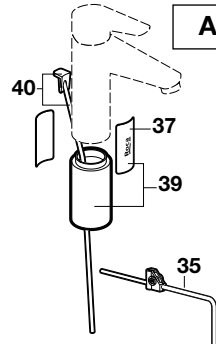
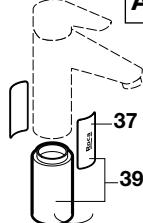
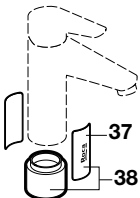


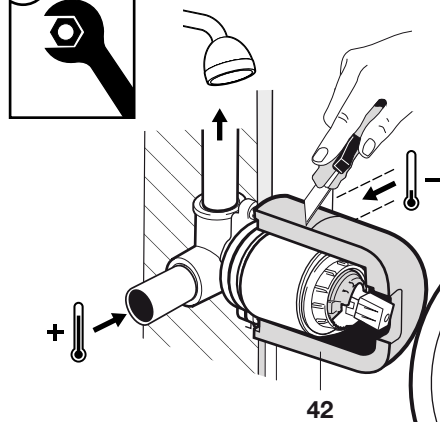
A5A3D90

A5A3790

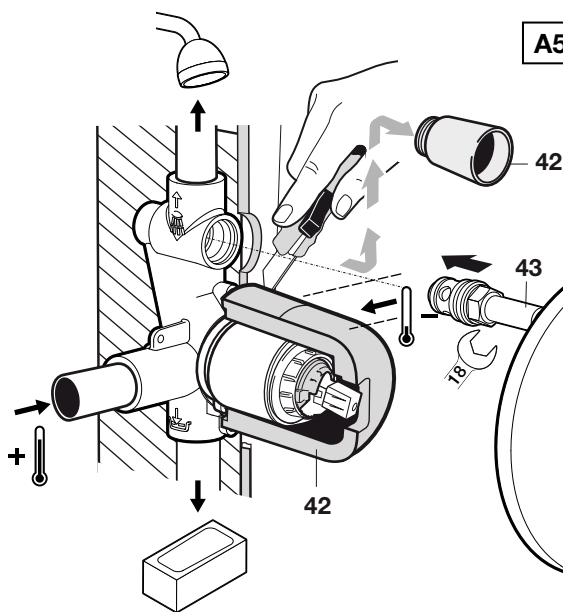
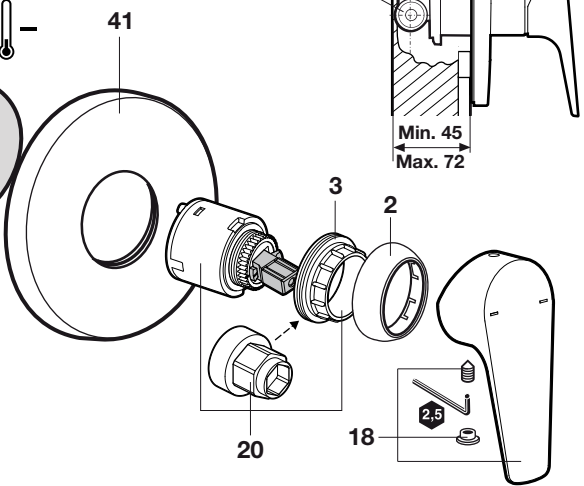
A5A3790..M

A5A3490

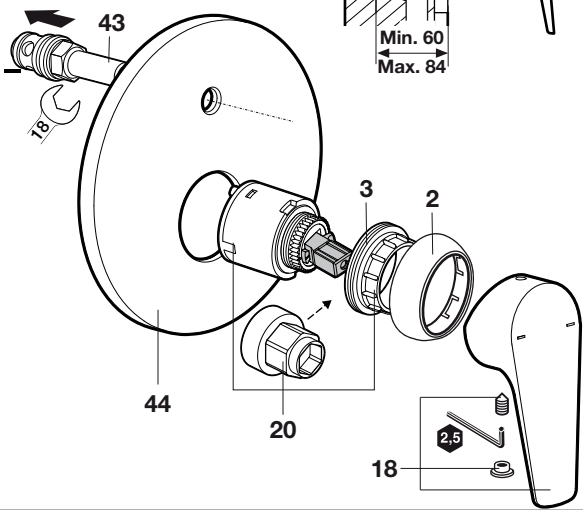




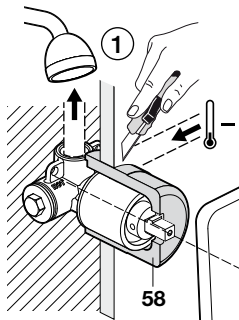
**A5A2290**



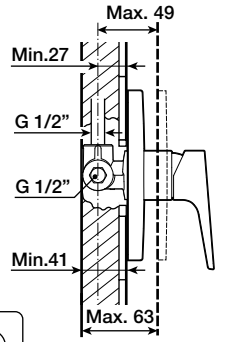
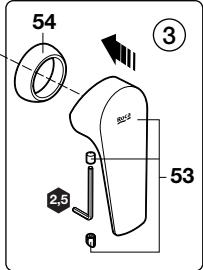
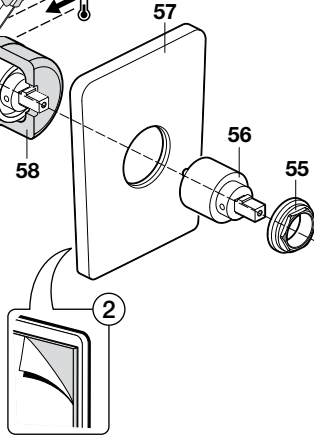
**A5A0690**







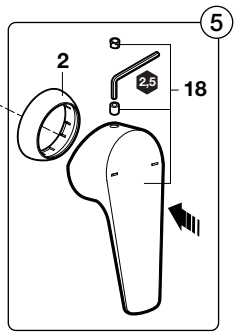
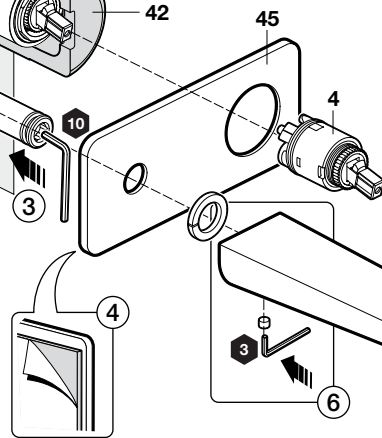
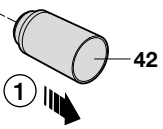
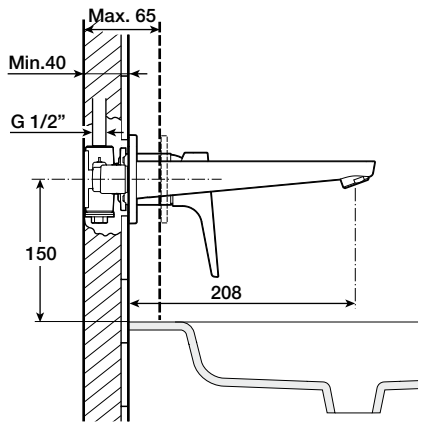
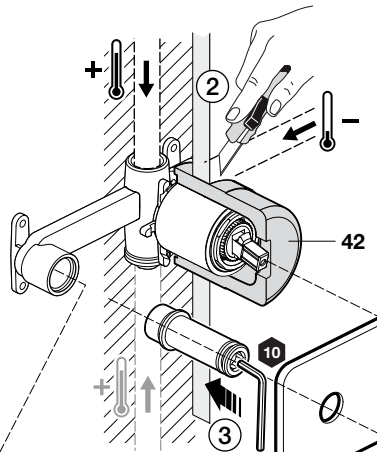
**A5A2D90..T**



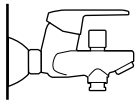
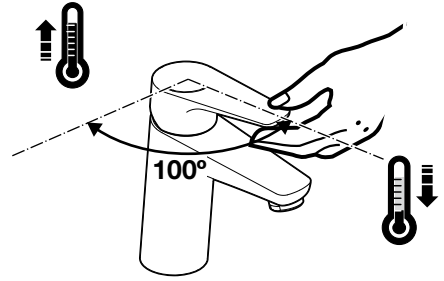
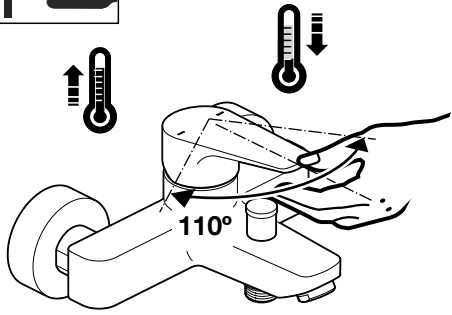
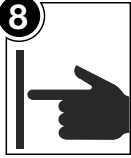
**A5252206**



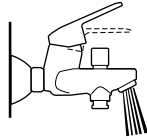
**A5A3590**



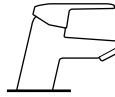
8



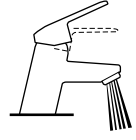
0%



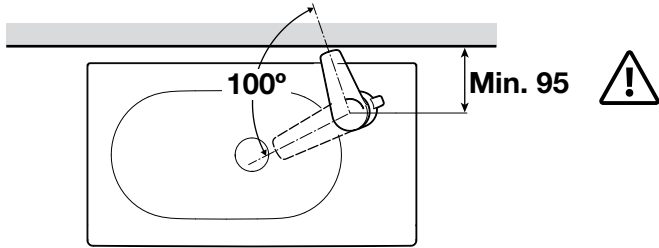
100%



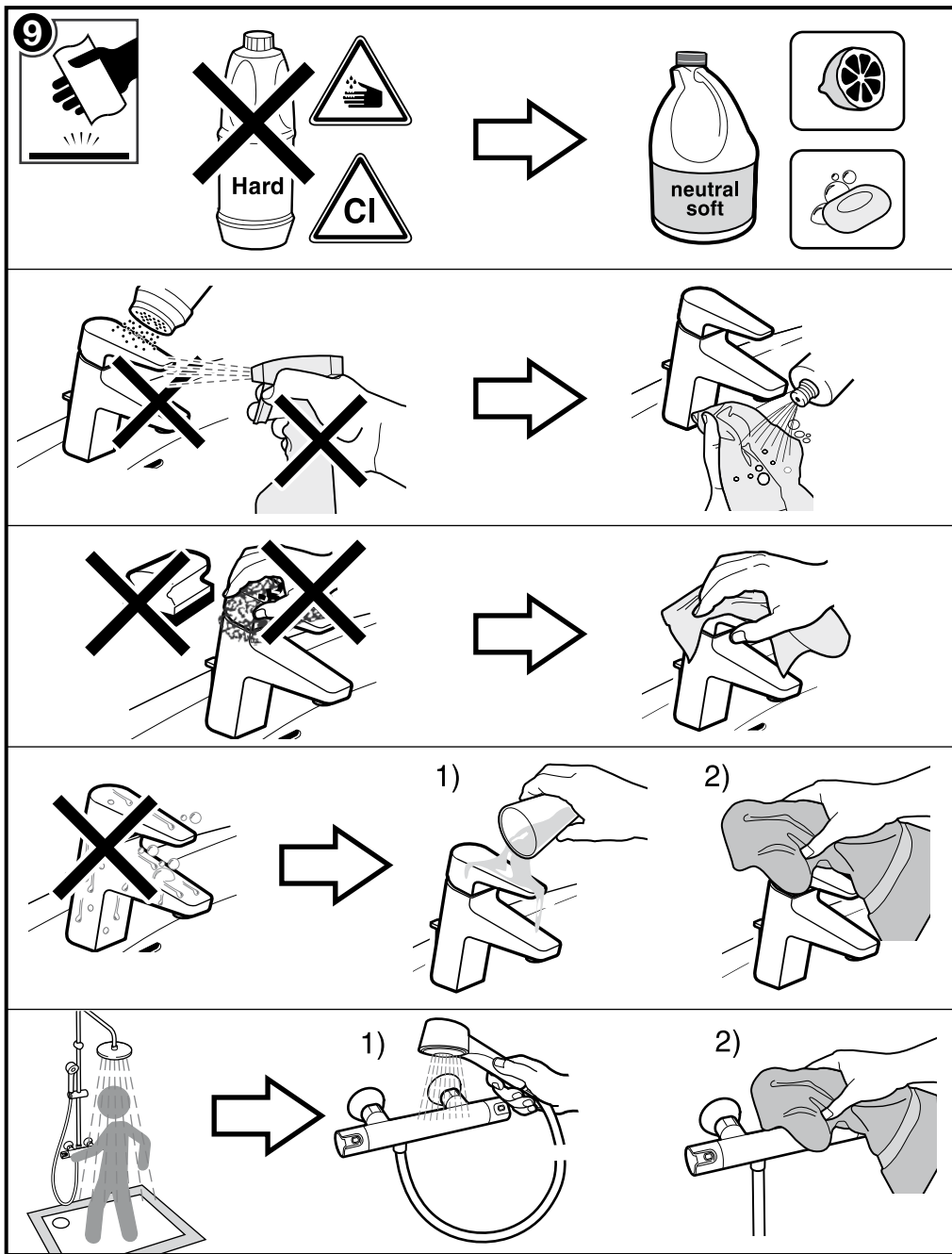
0%



100%



1	- AG0116100R	16	- AG0055800R	38	- AG0117100R
2	- AG0085300R	17	- A525004600	39	- AG0117400R
3	- A525023507	18	- AG0116300R	40	- AG0117300R
4	- AG0141207R	19	- AG0032300R	41	- AG0119500R
5	- AG0096307R	20	- A525005407	42	- AG0001907R
6	- AG0096409R	21	- AG0116400R	43	- A525006500
		22	- AG0116700R	44	- AG0119600R
7	- AG0096509R	23	- A525003600	45	- AG0142300R
		24	- AG0116500R	46	- AG0142100R
8	- AG0125909R	25	- AG0116600R	47	- AG0171400R
		26	- A525005200	48	- AG0171500R
9	- AG0126009R	27	- AG0116800R	49	- AG0171600R
		28	- AG0103908R	50	- AG0171700R
10	- AG0163900R	29	- A5B1103..0	51	- AG0171800R
		30	- AG0003700R	52	- AG0171900R
11	- AG0046600R (5 l/min)	31	- A525009800	53	- AG0172700R
		32	- A525005507	54	- AG0172300R
12	- AG0129000R (1,7 l/min)	33	- AG0036800R	55	- AG0172200R
		34	- AG0099007R	56	- AG0123907R
13	- A525020600	35	- AG0033300R	57	- AG0172800R
		36	- AP00097500	58	- AG0172000R
14	- A525004403 M8X85	37	- AG0117207R	59	- AG0200600R
15	- A525030303 M8X247				
13	- AG0075300R				
14	- AG0096200R				
15	- A525021200				



A523092507U

