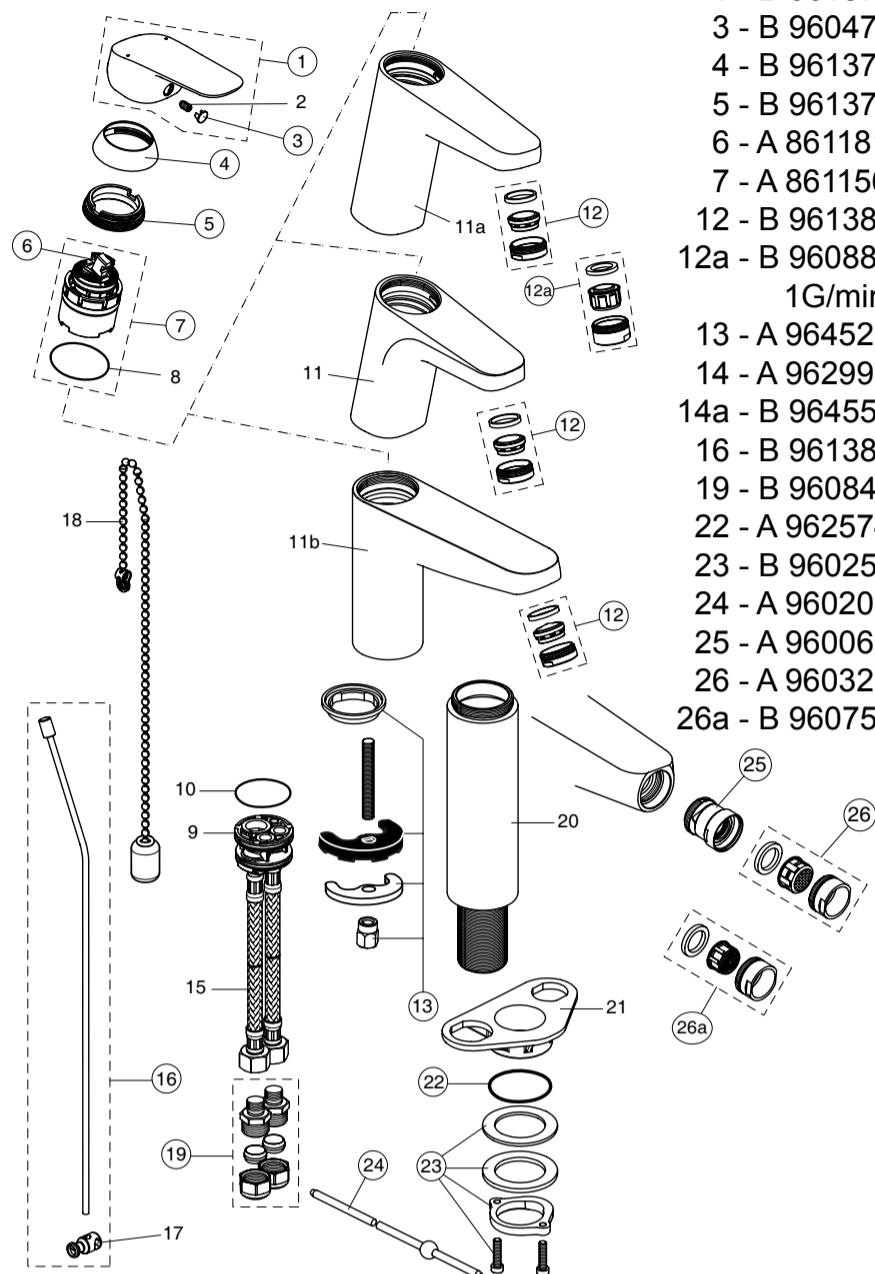
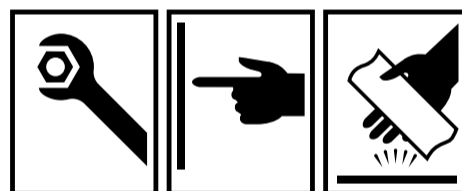


XX = AA, AD,

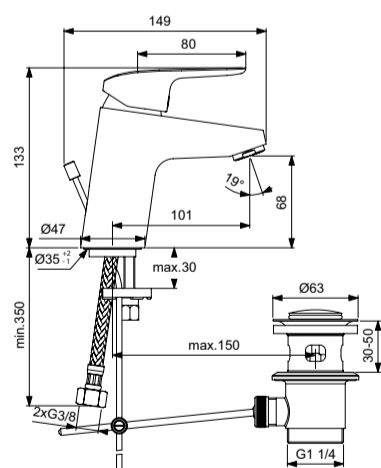


- 1 - B 961375 XX
- 3 - B 960473 XX
- 4 - B 961373 XX
- 5 - B 961374 NU
- 6 - A 861181 NU
- 7 - A 861156 NU
- 12 - B 961383 XX
- 12a - B 960883 XX
- 1G/min
- 13 - A 964520 NU
- 14 - A 962991 XX
- 14a - B 964550 AA
- 16 - B 961384 XX
- 19 - B 960845 NU
- 22 - A 962574 NU
- 23 - B 960255 NU
- 24 - A 960200 XX
- 25 - A 960063 XX
- 26 - A 960321 XX
- 26a - B 960754 XX

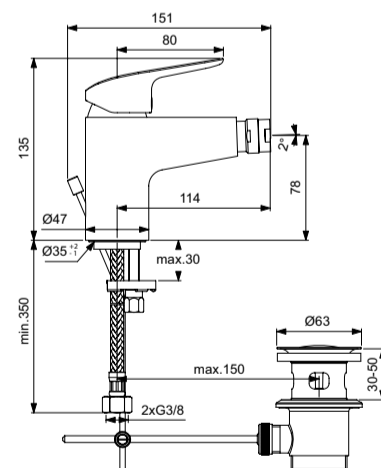


CERAFLEX

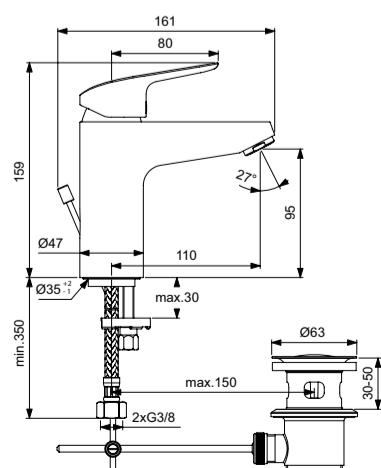
04.2018 / B665579



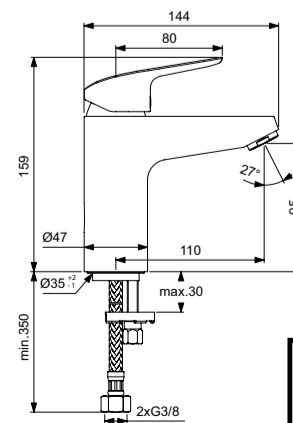
B 1707 ..
B 1708 ..



B 1718 ..



B 1712 ..
B 1713 ..



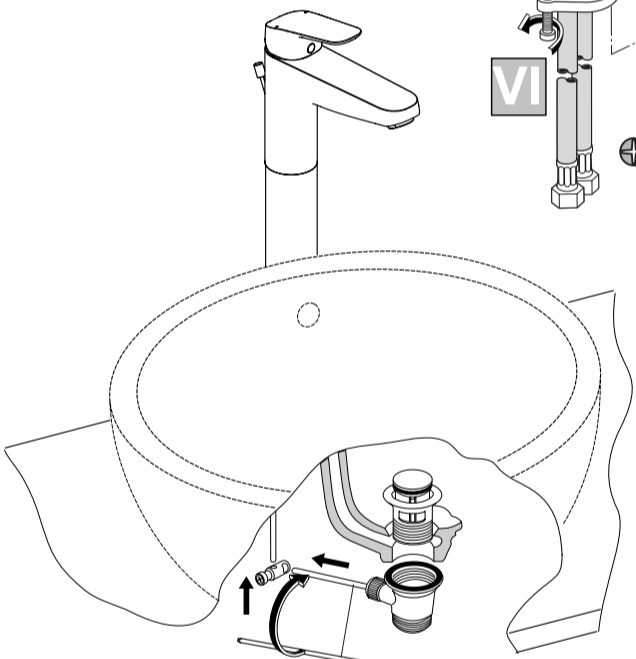
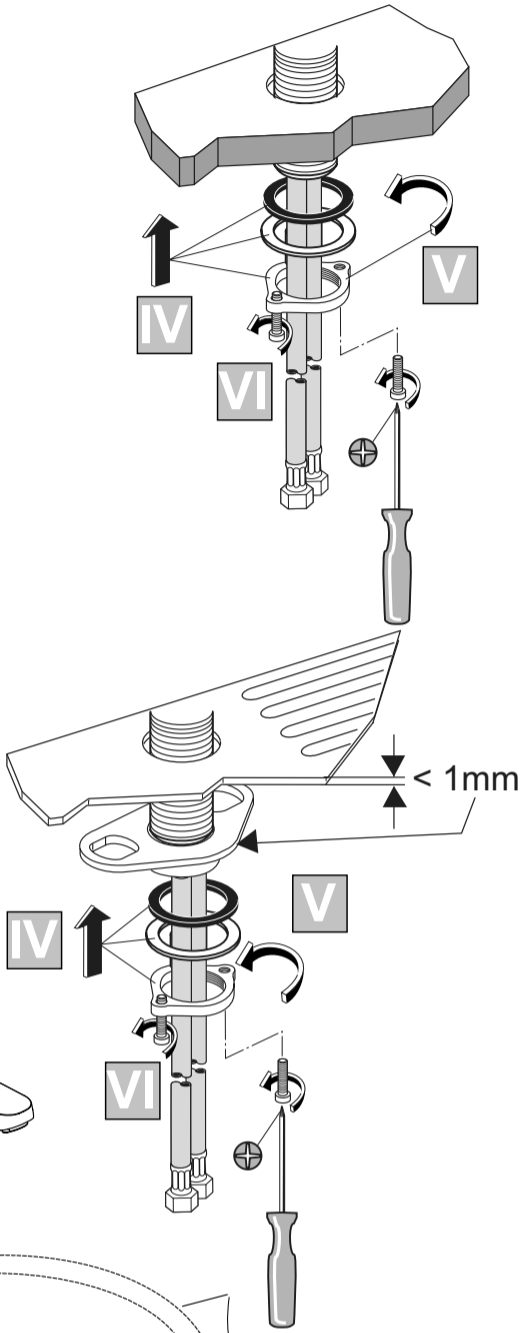
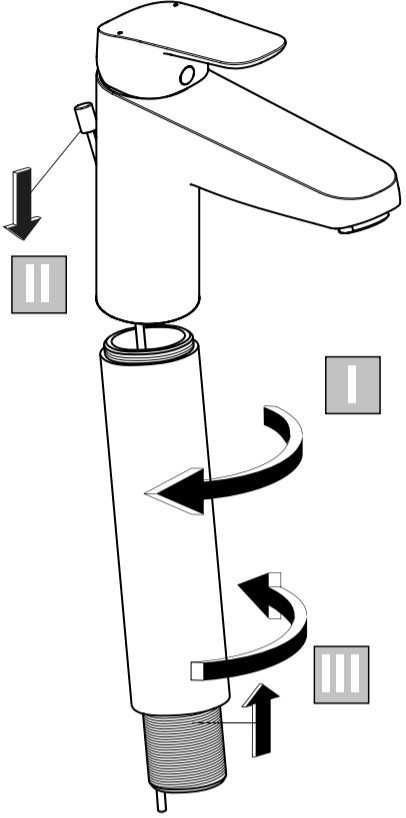
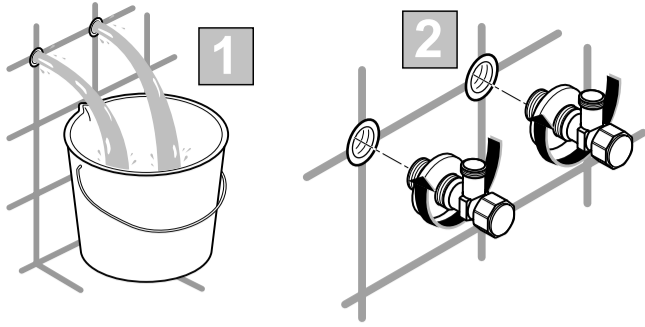
B 1714 ..



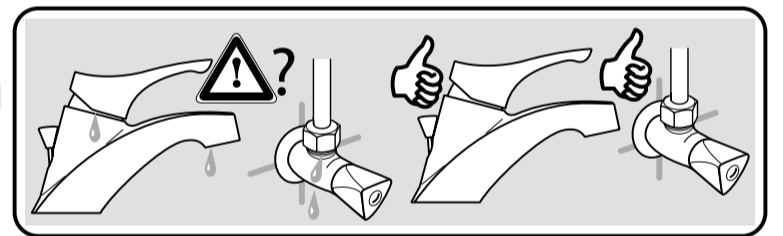
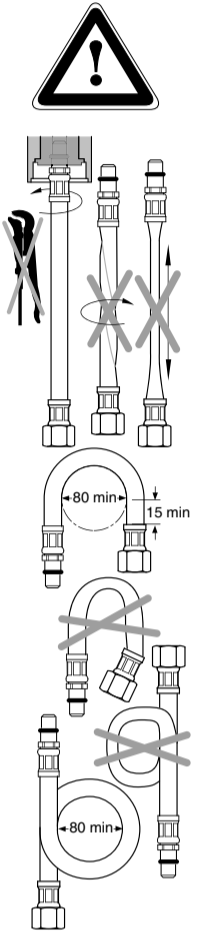
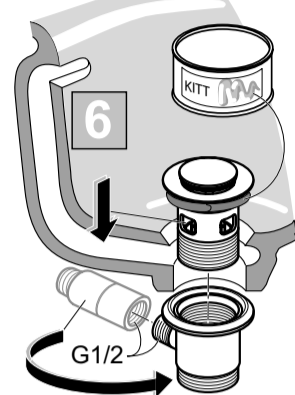
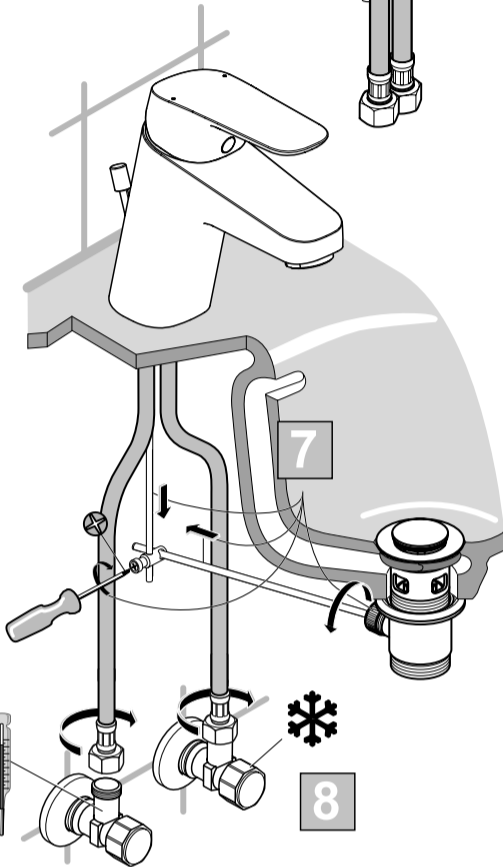
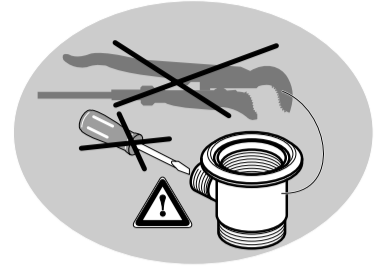
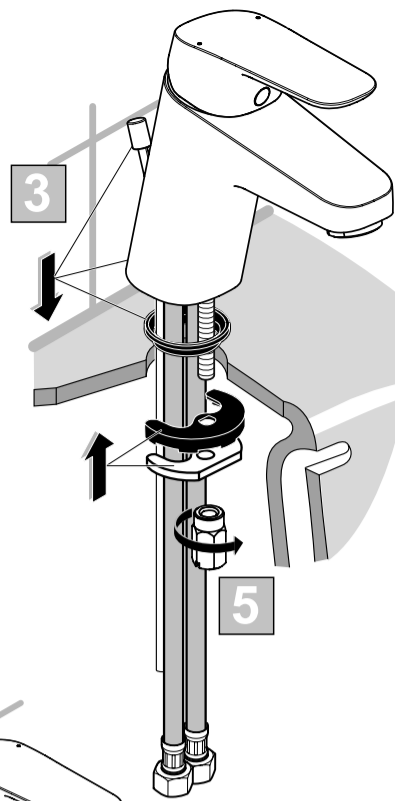
Ideal Standard International NV
Corporate Village – Gent Building
Da Vincilaan 2
1935 Zaventem
Belgium

<http://www.idealstandardinternational.com>





1 x 190mm
1 x 330mm



1

2

P 0,3 MPa 3 bar	T °C	Temperature Control Ring					
		0	1	2	3	4	5
50°C	15°C	50	49	44	40	35	33
65°C	15°C	65	63	57	50	44	40
85°C	15°C	85	83	74	64	56	50

100%
50%
STOP

B 1718 ..
Q
l/min

<p>P</p>	<p>bar</p>	<p>MAX. 10 0,5</p>	<p>5</p>	<p>Q (3 bar)</p>
<p>T</p>	<p>°C</p>	<p>MAX. 80</p>	<p>65 40</p>	