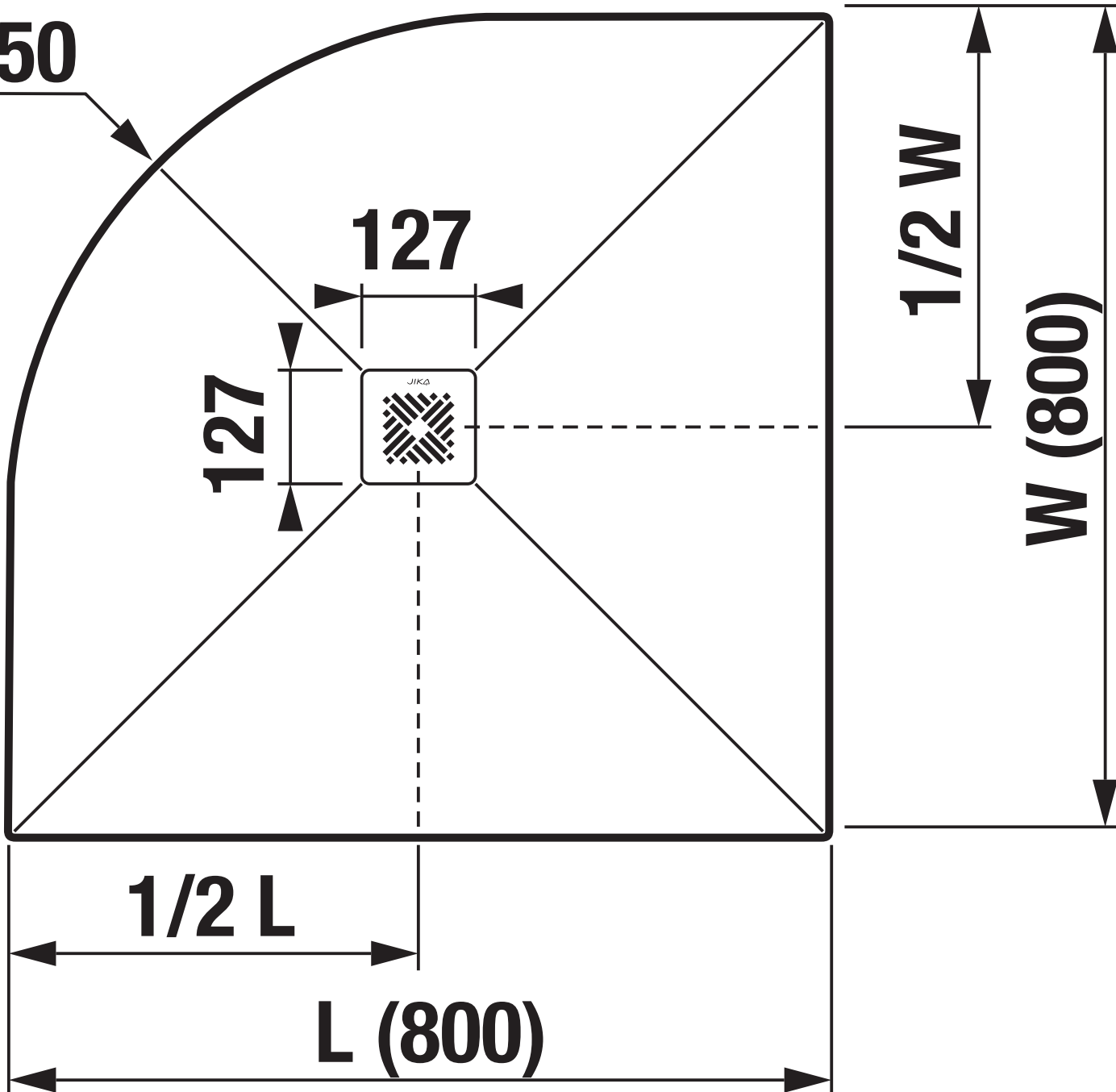


R 550



127

127

$1/2 W$

W (800)

$1/2 L$

L (800)