

## AXOR Citterio M

Shower thermostat for exposed installation

Surfaces: **Chrome** Article Number: **34635000**



### Description

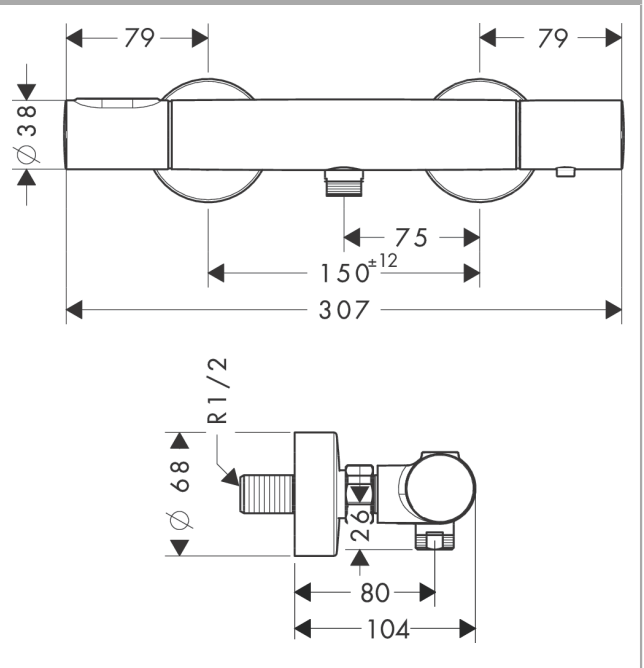
#### product features

- 1 function
- maximum flow rate at 3 bar: 20 l/min
- thermostat cartridge, ceramic valve 180°
- safety lock at 40 °C
- temperature limitation adjustable
- non-return valve
- with silencer
- connection type: s-shaped connections
- centre distance: 150 ± 12 mm
- connection dimension: DN15
- min. operating pressure: 1 bar
- max. operating pressure: 10 bar

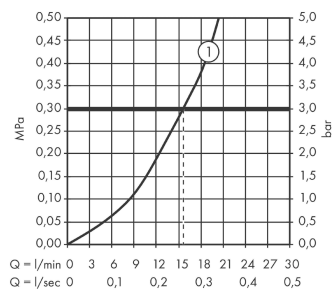
### Product image



### Scale drawing



### Flowchart

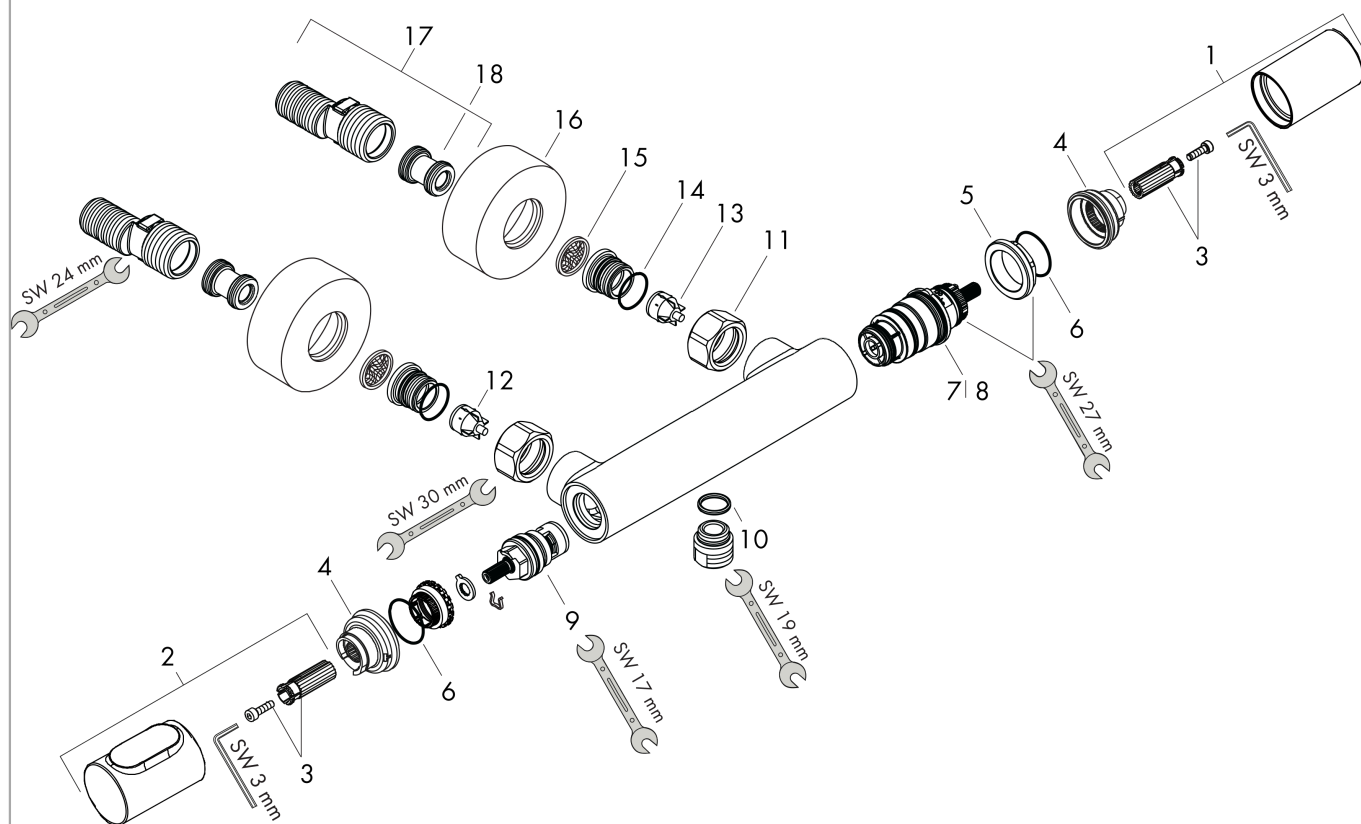


**AXOR Citterio M**  
**Shower thermostat for exposed installation**  
 Surfaces: **Chrome**    Article Number: **34635000**



## Exploded Drawing

Year of production: >04/13



**AXOR Citterio M**  
**Shower thermostat for exposed installation**  
 Surfaces: **Chrome** Article Number: **34635000**



### Spare part list

Year of production: >04/13

Pos.	Description	Article Number	Price	PU
1	handle for thermostat	98287000	-	1
2	handle	98288000	-	1
3	handle fixing set	98290000	-	1
4	safety set	98289000	-	1
5	nut	98913000	-	1
6	O-ring 26x1,5	98390000	-	1
7	thermostat cartridge	98282000	-	1
8	cartridge for exchanged connections	92373000	-	1
9	shut off unit	94149000	-	1
10	O-ring 14x2	98129000	-	1
11	set of nuts	96157000	-	1
12	non return valve (pressure-resistant up to 2 MPa)	93136000	-	1
13	non return valve	96737000	-	1
14	O-ring 17x1,5	98137000	-	1
15	filter packing	96922000	-	1
16	escutcheon Ø 68 mm	96467000	-	1
17	set of S-unions (±12 mm)	94140000	-	1
18	noise reduction	96429000	-	1
a	set of S-unions (±32 mm)	98592000	-	1
b	conversion kit	98329000	-	1
c	pushbutton	92848000	-	1