

## Technical Data

KLUDI AMBA  
Concealed single lever shower mixer

Article- Nr.:  
536550575

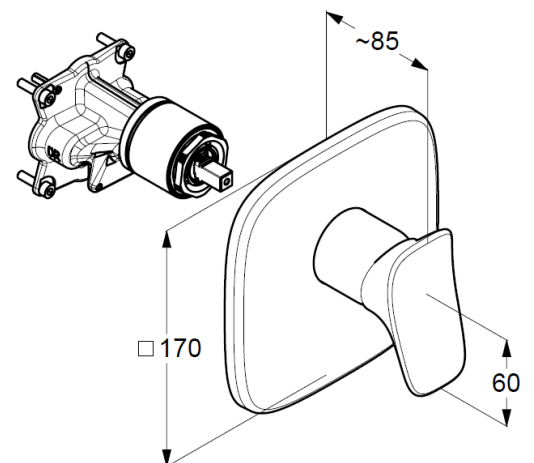
Surface:  
05 chrome

manufacturer KLUDI GmbH & Co. KG  
Typ: KLUDI AMBA  
Concealed single lever shower mixer,  
PN 10  
Art. Nr. 536550575  
concealed shower mixer  
single lever mixer  
trim set without pre-installation set  
pre installation set KLUDI FLEXX.BOX Art. Nr. 88011  
trim set with functional unit  
wall mounted  
solid lever, metal  
ceramic cartridge with hotwater safety device  
flow rate at 3 bar = 25 l/ min.

Product Picture



Dimensional drawing



Flow rate diagram

