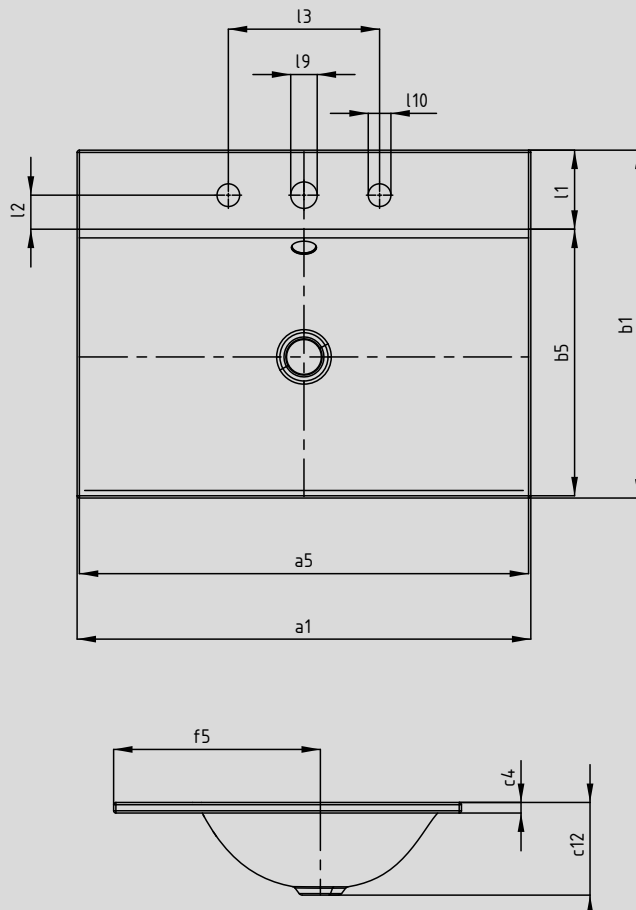


SILENIO BUILT-IN WASHBASIN

- the flowing, soft design of the washbasin is underlined by a low lip for virtually flush mounting on your chosen vanity unit or console
- generous space for fittings and individual accessories
- Made of KALDEWEI steel enamel
- designed by Anke Salomon



Similar illustration



Model No.		3037	3038	3039
External length	a ₁	600	900	1200 mm
Internal length	a ₅	594	894	1194 mm
External width	b ₁	460	460	460 mm
Internal width	b ₅	352,5	352,5	352,5 mm
Height of rim	c ₄	14	14	14 mm
Distance basin surface to bottom edge of waste hole	c ₁₂	123	123	123 mm
Distance outer edge to centre of waste hole	f ₅	273,4	273,4	273,4 mm
Depth of tap deck	l ₁	104,5	104,5	104,5 mm
Distance tap holes to edge	l ₂	45	45	45 mm
Distance of tap holes	l ₃	200	200	200 mm
Diameter of centre tap hole	l ₉	35	35	35 mm
Diameter of outside tap holes (3 tap holes only)	l ₁₀	30	30	30 mm
Weight of the enamelled washbasin in kg		7,0	10,4	13,7