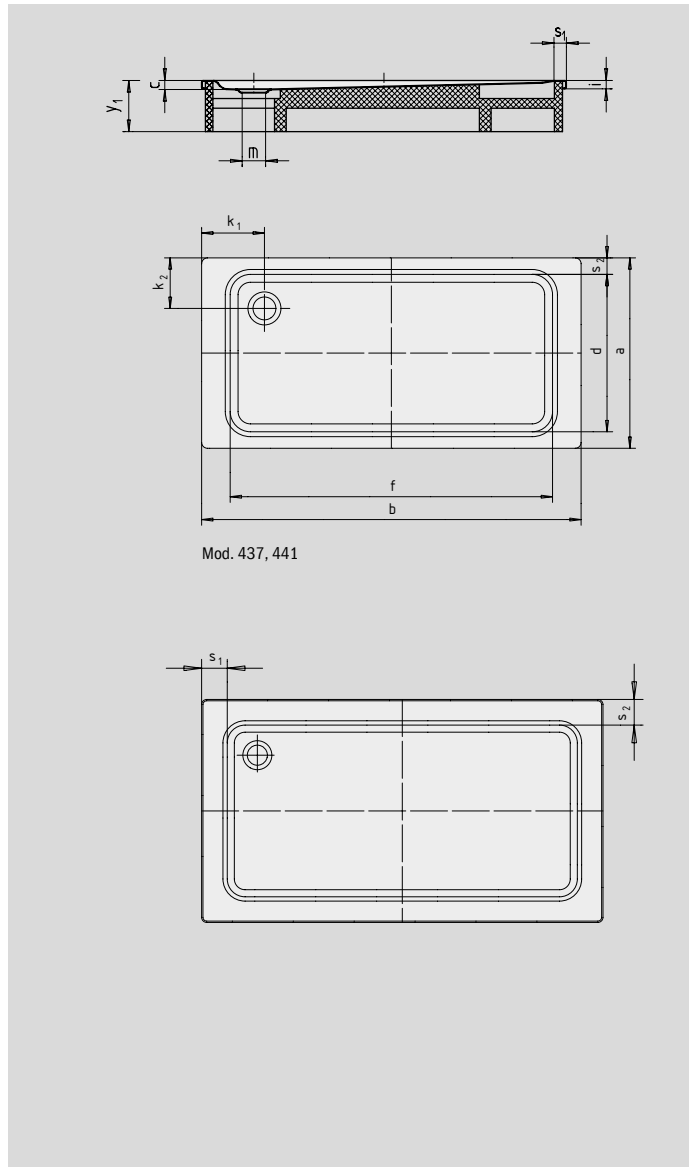


SUPERPLAN XXL

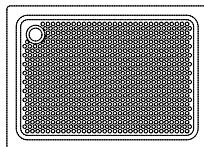
- exclusive, elegant design
- generous dimensions ideal for showering with a friend
- shallow depth ideal for floor level installation and guarantees easy access
- made of KALDEWEI steel enamel 3,5 mm



Mod. 437, 441

Similar illustration

Model No.		409	411	430	444	437	441	445
External length	a	700	750	900	1000	800	900	1000 mm
External width	b	1700	1700	1700	1700	1800	1800	1800 mm
Depth	c	47	47	51	51	47	51	51 mm
Internal length	d	590	640	790	790	640	790	790 mm
Internal width	f	1590	1590	1590	1590	1580	1580	1580 mm
Height of rim	i	32	32	32	32	32	32	32 mm
Distance tray edge to centre of drain hole	k ₁ ; k ₂	200	200	200	200; 250	225; 250	250; 200	250; 250 mm
Diameter of drain hole	m	90	90	90	90	90	90	90 mm
Width of rim	s _{1,2}	50	50	50	50; 100	100; 75	100; 50	100; 100 mm
Height with support	y ₁	145	145	145	145	145	145	145 mm
Weight of the enamelled shower tray in kg		32	33	40	44	37	42	47
Anti-slip		856 x 300	856 x 300	856 x 549	856 x 549	856 x 300	856 x 549	856 x 549 mm
Full anti-slip		461 x 1465	524 x 1465	649 x 1465	649 x 1465	527 x 1465	649 x 1465	649 x 1465 mm



The TÜV Rheinland confirms the following properties of KALDEWEI's anti-slip and full anti-slip finish:

- Assessment group **B** for wet barefoot areas (**DIN 51097**)
- Assessment group **R 10** for slip-resistant properties in work rooms and areas with an increased risk of slipping (**DIN 51130**)

All SUPERPLAN XXL models are available with **full anti-slip** finish.