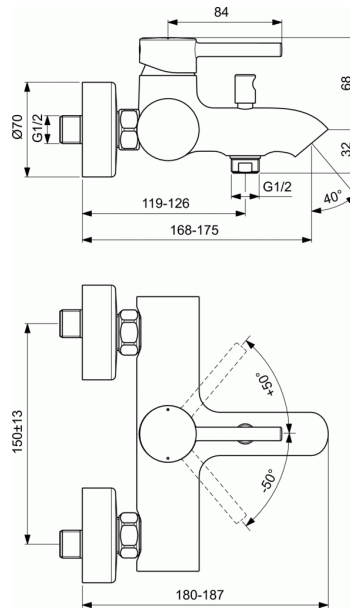


CERALINE

Exposed bath & shower mixer



Exposed bath & shower mixer

- 38 mm ceramic cartridge with hot water limiter
- Metal handle with red and blue colour indication
- Check valve
- Standard S-Connections with Noise reducers
- Cache aerator
- Automatic diverter
- Comply with EN817

FINISHES*



* AA = Chrome, XG = Silk Black (Matt Black)

KEY FEATURES & BENEFITS

