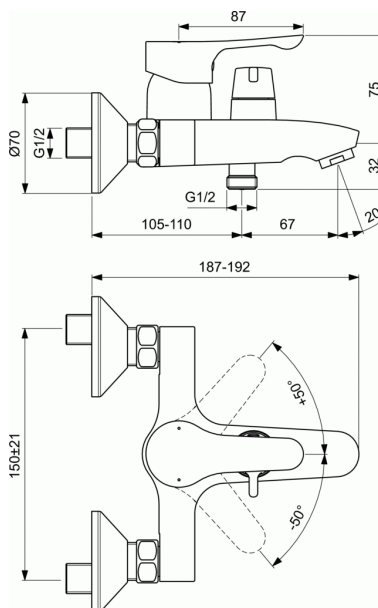


## ALPHA

### Exposed bath & shower mixer



#### Exposed bath & shower mixer

35 mm ceramic cartridge with hot water limiter  
Metal handle with red and blue colour indication  
Check valve  
Standard S-Connections  
Perlator aerator  
Ceramic manual diverter  
Comply with EN817

#### FINISHES\*



AA

\* AA = Chrome

#### KEY FEATURES & BENEFITS

