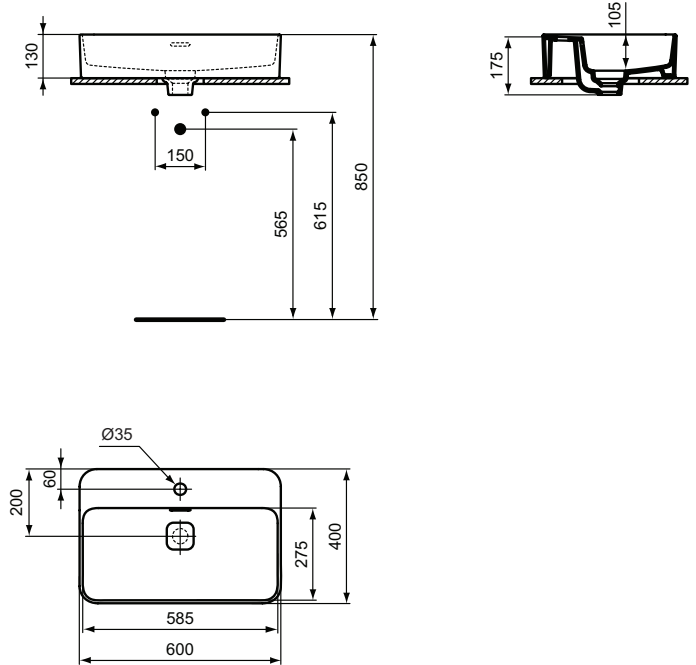




Ideal Standard

COUNTERTOP

Strada II



Article-No.: T2998MA

Vessel basin Rectangular 60 cm, with overflow

Strada II basin with central tap hole punched, with slotted shape overflow and white waste cover. Including fixation set and cutting template. Optional installation with: Click-clack waste with metal cover T3629AA. See the available list of Recommended equipment in the IS Catalogue/Price list.

Colour: MA - Euro White Ideal Plus

More product details:

Type:	Vessel
Accreditations:	DIN EN 14688 CL 20; DIN EN 31
Tap Holes:	1
Net Weight (kg):	13
Material:	Fine fireclay
Designer:	Studio Levien
Height (mm):	178
Width (mm):	600
Depth (mm):	400

Ideal Standard s.r.o - Czech Republic

Zemská 623, 415 74 Teplice, Czech Republic - Tel: +420 417 592 111

Email: technickedotazy@idealstandard.com - Web: www.idealstandard.cz