

ANTAO VANITY WASHBASIN RECTANGLE

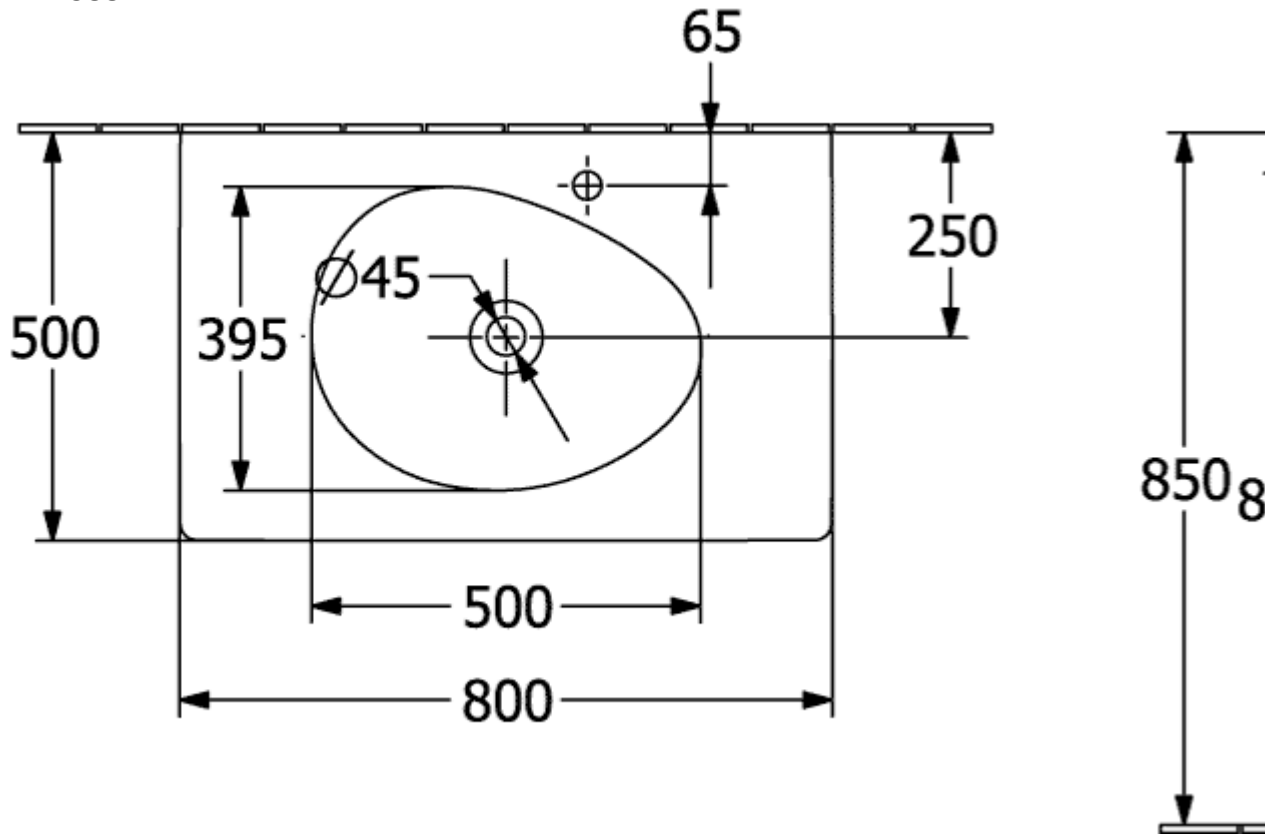
PRODUCT INFORMATION



Article title	Villeroy & Boch Antao Vanity washbasin, 800 x 500 x 150 mm, White Alpin CeramicPlus, without overflow
Article number	4A7583R1
Assembly / Assembly type	wall-mounted
Scope of delivery	1 x vanity washbasin , 1 x non-closing outlet valve with ceramic valve cover
Depth in mm	500
Width in mm	800
Height in mm	150
Interior depth	115
Collection	Antao
Tap fitting / Tap hole information	when using a wall-mounted tap fitting, we recommend a projection of at least 195 mm
Suitable for	without tap hole, Matching Villeroy&Boch furniture
Material	TitanCeram
surface	glossy
Colour name	White Alpin CeramicPlus
With overflow	No
Shape	Rectangle
Colour designation	White Alpin
Antibacterial surface (with AntiBac)	No
Easy surface cleaning (CeramicPlus)	Yes
Number of bowls	1

TECHNICAL DRAWINGS

4A7583R1



4A7583R1

