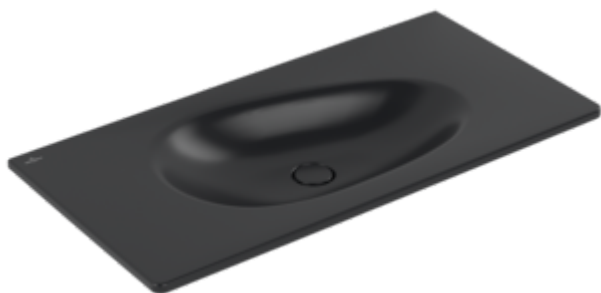


ANTAO VANITY WASHBASIN RECTANGLE

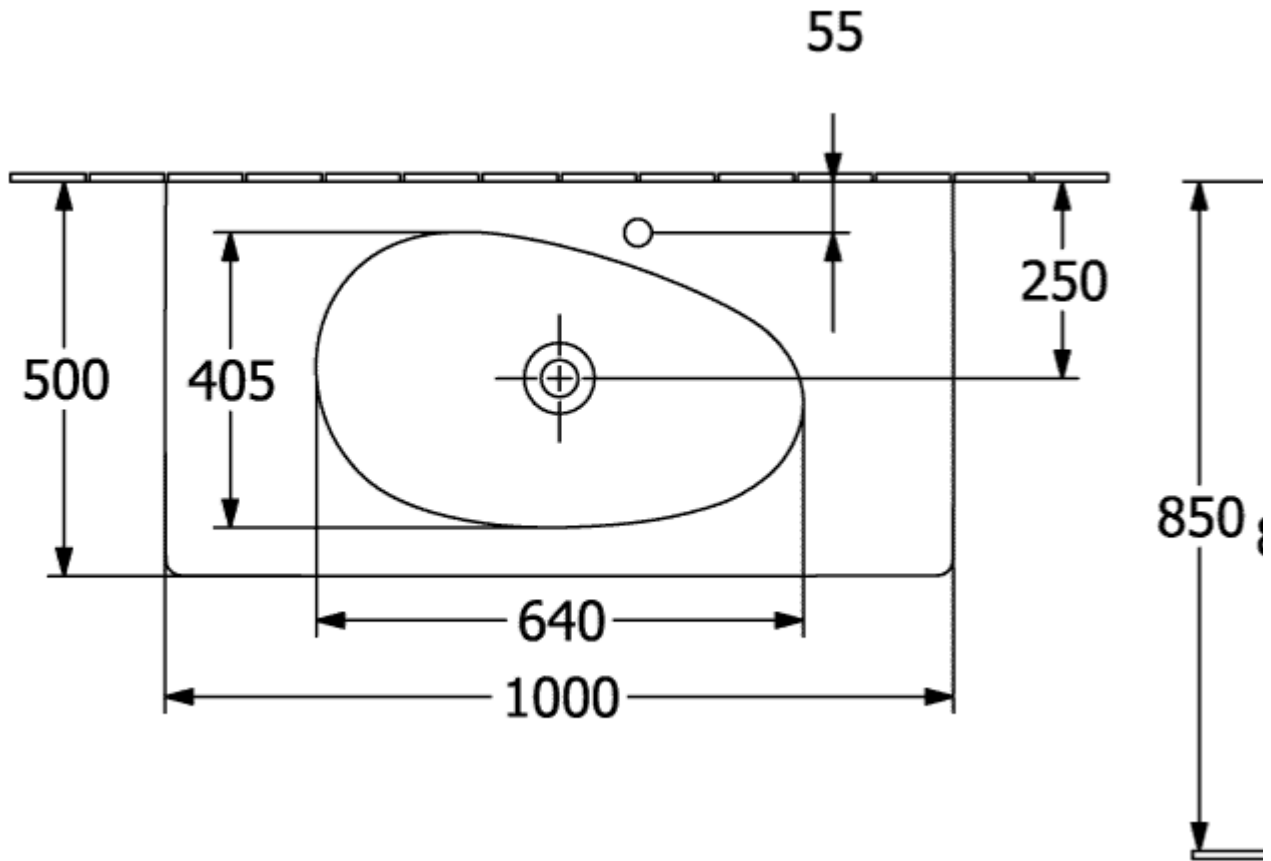
PRODUCT INFORMATION



| | |
|--------------------------------------|---|
| Article title | Villeroy & Boch Antao Vanity washbasin, 1000 x 500 x 150 mm, Pure Black CeramicPlus, without overflow |
| Article number | 4A76A3R7 |
| Assembly / Assembly type | wall-mounted |
| Scope of delivery | 1 x vanity washbasin , 1 x non-closing outlet valve with ceramic valve cover |
| Depth in mm | 500 |
| Width in mm | 1000 |
| Height in mm | 150 |
| Interior depth | 115 |
| Collection | Antao |
| Tap fitting / Tap hole information | when using a wall-mounted tap fitting, we recommend a projection of at least 195 mm |
| Suitable for | without tap hole, Matching Villeroy&Boch furniture |
| Material | TitanCeram |
| surface | matt |
| Colour name | Pure Black CeramicPlus |
| With overflow | No |
| Shape | Rectangle |
| Colour designation | Pure Black |
| Antibacterial surface (with AntiBac) | No |
| Easy surface cleaning (CeramicPlus) | Yes |
| Number of bowls | 1 |

TECHNICAL DRAWINGS

4A76A3R7



4A76A3R7

