

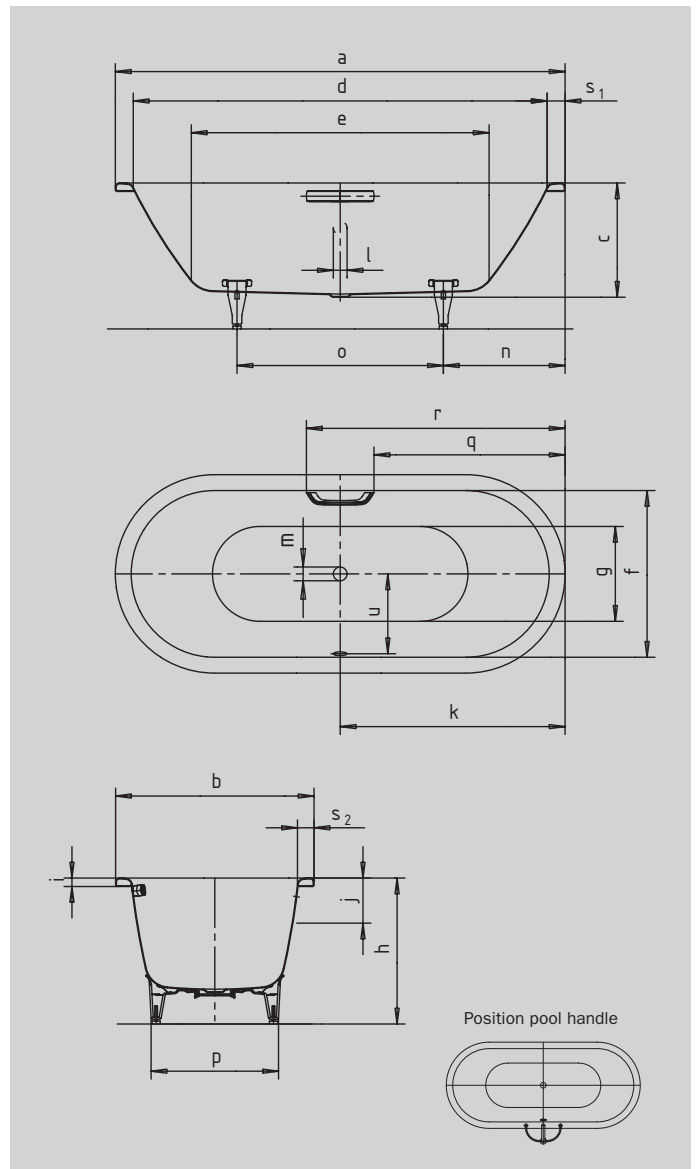
# CLASSIC DUO OVAL

- pure simplicity and unpretentious elegance are what distinguish these baths
- bathing with a friend: two identical back rests and centrally positioned waste
- made of Kaldewei steel enamel 3,5 mm



Similar illustration

**Please notice:**  
The illustrated bath with handle requires a special bath design. To assemble the handle, a special bore hole (standard positioning) in the bath is required (already included in the accessory price).



Model No.		112	116	113	111
External length	a	1600	1700	1700	1800 mm
External width	b	700	700	750	800 mm
Depth	c	430	430	430	430 mm
Internal length (top)	d	1480	1580	1580	1680 mm
<b>Internal length (bottom)</b>	<b>e</b>	<b>1030</b>	<b>1130</b>	<b>1130</b>	<b>1230 mm</b>
Internal width (top)	f	580	580	630	680 mm
Internal width (bottom)	g	450	450	500	550 mm
Height with feet	h	560-590	565-600	555-590	555-590 mm
Height of rim	i	32	32	32	32 mm
Distance top edge to centre of overflow hole	j	70	70	70	70 mm
Distance bath edge to centre of drain hole	k	800	850	850	900 mm
Diameter of overflow hole	l	52	52	52	52 mm
Diameter of drain hole	m	52	52	52	52 mm
Distance foot end of bath edge to centre of foot	n	560	560	560	600 mm
Distance between the feet	o	480	580	580	600 mm
Max. width of feet	p	410	420	450	540 mm
Distance bath edge to where handle starts	q	672	-	722	772 mm
Distance bath edge to where handle ends	r	928	-	978	1028 mm
Width of rim (foot end; lengthwise)	s <sub>1</sub> ; s <sub>2</sub>	60; 60	60; 60	60; 60	60; 60 mm
Distance between centre holes	u	280	280	305	330 mm
Water volume** in litres		95	110	124	158
Weight of the enamelled bath in kg		41	-	45	50
Anti-slip		Ø 288	Ø 288	Ø 435	Ø 435 mm
Full anti-slip		850 x 240	900 x 300	900 x 300	900 x 300

Note: The operational system may protrude on some whirl systems.  
Please refer to the Technical Information for Whirl Systems for further information.  
Subject to technical alterations, tolerances and errors. Similar illustration.  
\*\* 70 litres displacement on average.