

## Basic set for 2-hole rim mounted thermostatic bath mixer

Surfaces: n.a. Article Number: 15486180

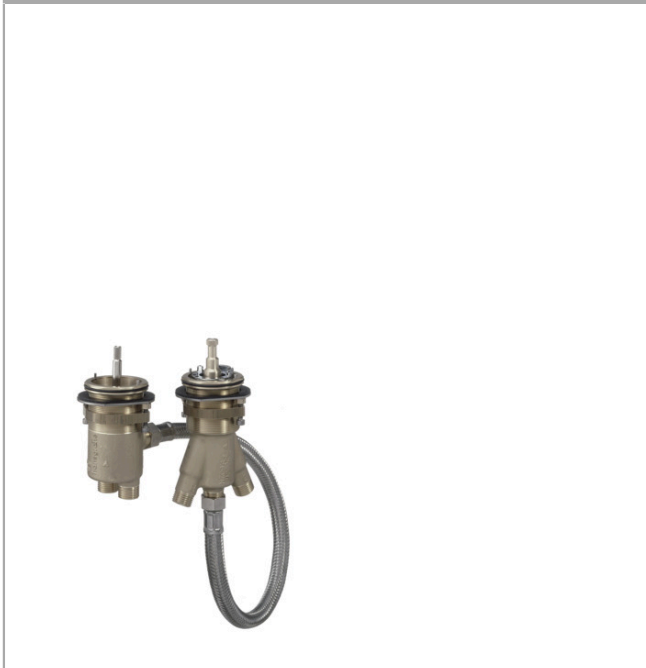


### Description

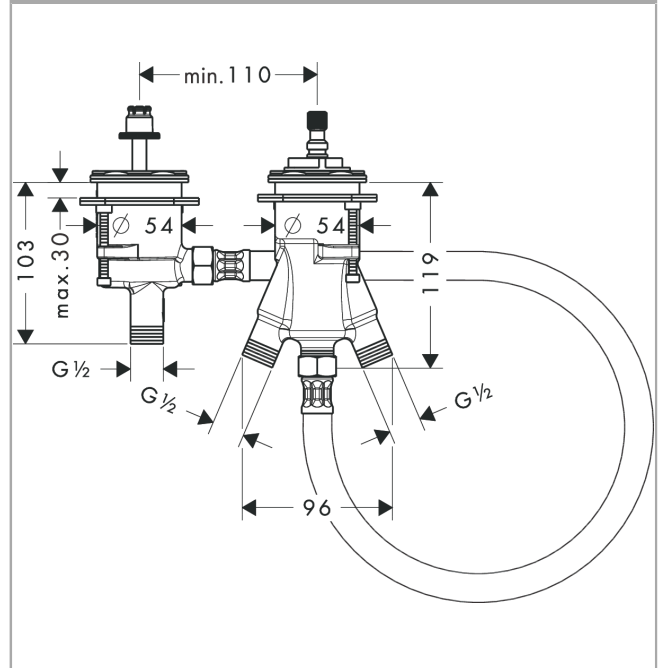
#### product features

- suitable for remote spout
- connection thread: G 1/2
- connection dimension: DN15

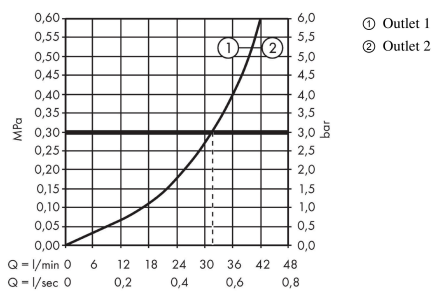
### Product image



### Scale drawing



### Flowchart



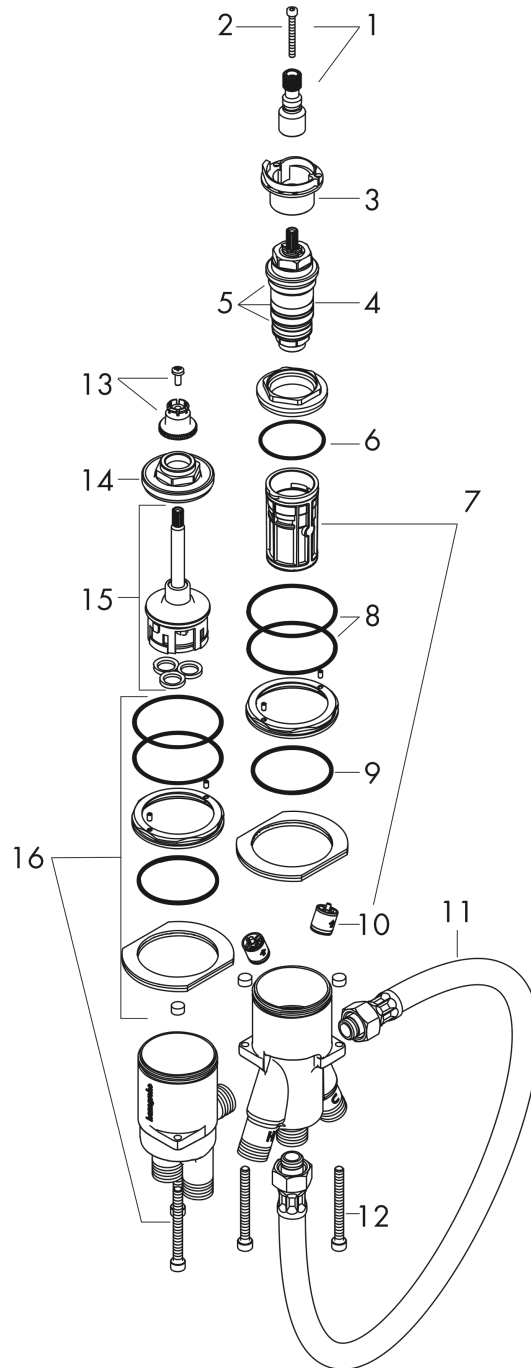
## Basic set for 2-hole rim mounted thermostatic bath mixer

Surfaces: n.a. Article Number: 15486180



### Exploded Drawing

Year of production: >10/17



**Basic set for 2-hole rim mounted thermostatic bath mixer**Surfaces: n.a. Article Number: **15486180****Spare part list**

Year of production: &gt;10/17

Pos.	Description	Article Number	Price	PU
1	adapter for handle	97108000	-	1
2	hexagon socket screw M4x35	92160000	-	1
3	safety set for temperature control	96626000	-	1
4	thermostat cartridge	94282000	-	1
5	sealing set	95037000	-	1
6	O-ring 41x1,5	98168000	-	1
7	service set	95183000	-	1
8	O-ring 57x2	98210000	-	1
9	O-ring 47x2	98392000	-	1
10	set of non return valves DW 15	94074000	-	1
11	connection hose 600 mm G½ x G½	25928000	-	1
12	hexagon socket screw M6x60	97785000	-	1
13	handle fixing set	94184000	-	1
14	nut	97550000	-	1
15	diverter unit	92371000	-	1
16	fixing set	96926000	-	1