

100 1755 Single lever basin mixer with pop up waste

projection 128 mm, with ceramic cartridge, with flexible hoses 3/8", chrom

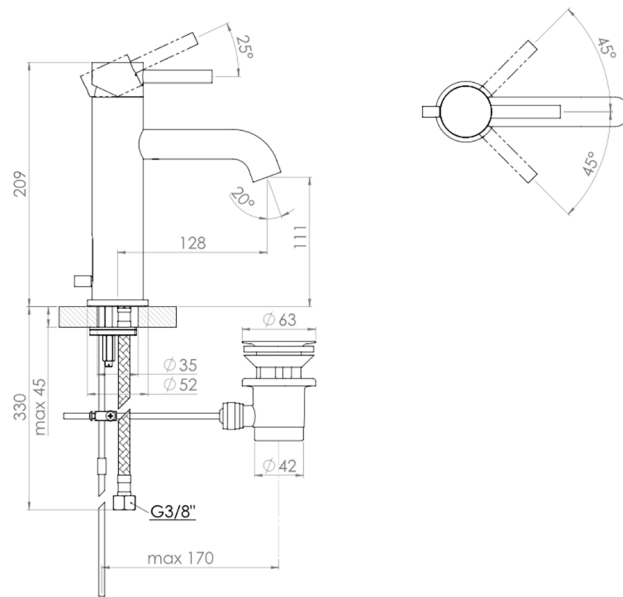
PRODUCT IMAGE



100 1755 Single lever basin mixer with pop up waste

projection 128 mm, with ceramic cartridge, with flexible hoses 3/8", chrom

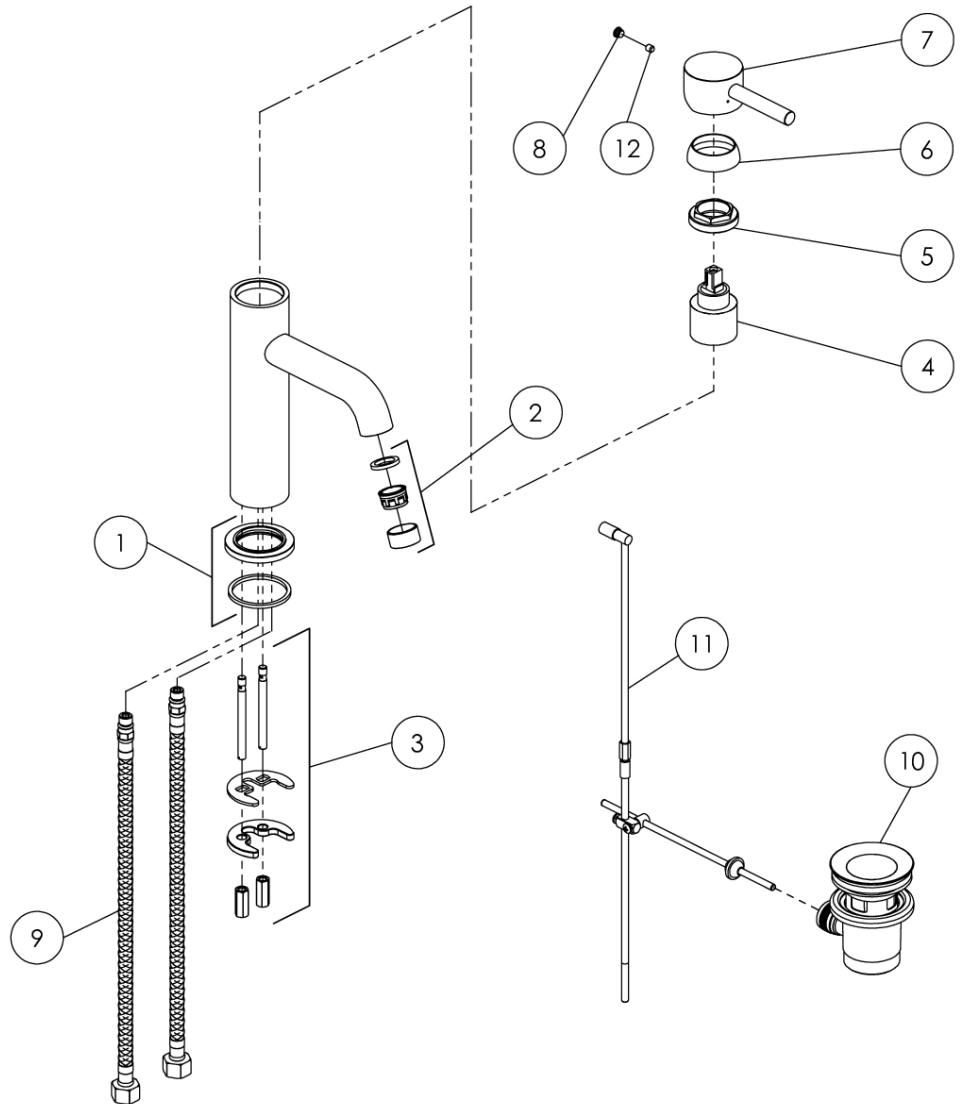
TECHNICAL DRAWING



100 1755 Single lever basin mixer with pop up waste

projection 128 mm, with ceramic cartridge, with flexible hoses 3/8", chrom

EXPLODED VIEW



PartNo	DE	EN	
1	099 9870	Fuß-Rosette Ø 52mm	foot rosette Ø 52mm
2	099 9134	Luftsprudler innenliegend, komplett mit Montageschlüssel	aerator inside with chrome finished sleeve
3	099 9800	Befestigungsset 2 Gewindestifte M6, ohne Fußrosette	fixing set, 2 x tree rod M6, without base rosette
4	099 9020 1	Keramik-Kartusche Ø 40mm (Kerox)	ceramic cartridge Ø 40mm (Kerox)
5	099 8012	Überwurfmutter Kartuschenbefestigung 40mm	hexagonnut to fix cartridge 40mm
6	099 8013	Kugelkappe, Chrom	spherical cap, chrome
7	099 9911	EHM-Armaturenhebel komplett mit Logo	lever for single lever mixer complete with logo
8	099 4107	Chromkappchen	chrom cap of single lever mixer handle
9	099 9200	Flexschlauch Ü 3/8" x M10, Länge 360mm (Paar)	flexible hose Ü 3/8" x M10, length 360mm (pair)
10	099 9300	Ablaufgarnitur 1 1/4" ohne Kugelstange	pop up waste 1 1/4" without vertical ball-rod
11	099 9850	Zugstangenset mit Zugstange	pop up rod and ball rod
12	099 1105	Madenschraube zum Hebel	grub screw of single lever
			100 1755
			08.10.2019
			STEINBERG