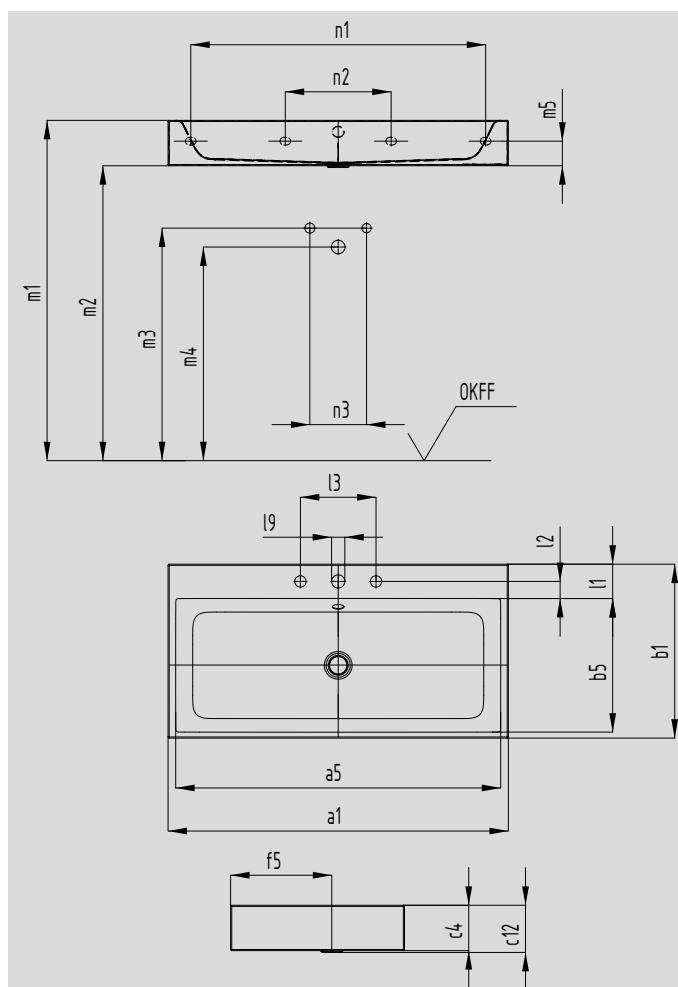


PURO WALL-HUNG WASHBASIN

- elegant rectangular washbasin in a classically minimalist design
- reduced precise edges
- very generous interior dimensions
- clean and timeless lines – immortalised in long-lasting KALDEWEI steel enamel
- harmonises perfectly with the PURO bath series
- designed by Anke Salomon



Similar illustrations



Model No.		3163	3164	3165	3167
External length	a1	460	600	900	1200 mm
Internal length	a5	420	560	860	1159,5 mm
External width	b1	460	460	460	460 mm
Internal width	b5	345	345	345	354 mm
Height of rim	c4	120	120	120	120 mm
Distance basin surface to bottom edge of waste hole	c12	115	125	125	125 mm
Distance outer edge to centre of waste hole	f5	267,5	267,5	267,5	267,5 mm
Depth of tap deck	l1	90,5	90,5	90,5	90,5 mm
Distance tap holes to edge	l2	45	45	45	45 mm
Distance of tap holes	l3	200	200	200	200 mm
Distance of tap holes	l4	-	-	-	600 mm
Diameter of centre tap hole	l9	35	35	35	35 mm
Distance FF*1 to top edge of basin surface	m1	820-850	820-850	820-850	820-850 mm
Distance FF*1 to bottom edge (washbasin)	m2	700-730	700-730	700-730	700-730 mm
Distance FF*1 to centre of drain hole wall connection	m4	520-580	520-580	520-580	520-580 mm
Distance bottom edge to centre of fixing hole	m5	65	65	65	65 mm
Outer distance of fixing holes	n1	-	-	780	1040 mm
Inner distance of fixing holes	n2	280	280	280	280 mm
Distance hot/cold water inlet	n3	80-150	80-150	80-150	80-150 mm
Weight of the enamelled washbasin in kg		10,6	12,6	17,1	22,81

*1 Finished floor level.
Subject to technical alterations, tolerances and errors. Similar illustrations.