

SET LAUFEN PRO A

Washbasin Pack with faucet, bottle trap, angle valves and all mounting accessories

86095.4



TECHNICAL DATA

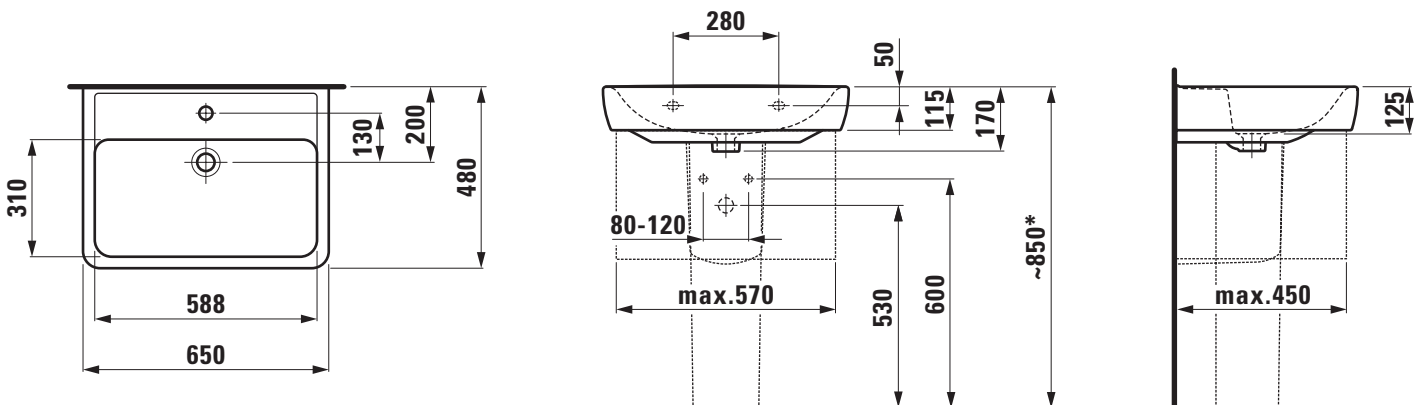
Order no.	86095.4
Certified to	Washbasin – EN 31
Dimensions	Washbasin – 650 x 480 mm
Specification	Countertop basin, 1 centre tap hole, with overflow with washbasin mixer Citypro, with pop-up waste, surface chrome with bottle trap DN 32, surface chrome with 2 angle valves, G 1/2" brass, surface chrome
Weight	23,0 kg
Accessories excl.	Siphon cover, order no. 81995.1 Pedestal, order no. 81995.0
Mounting acc. incl.	Installation tape, order no. 89299.2 Mounting set M10 x 140 mm, order no. 89988.2 Flexible connection hoses 3/8", Similar order no. 466.035.000

Colours	Washbasin – White Faucet – Chrome Bottle trap – Chrome
---------	--

SPECIFICATION TEXT

LAUFEN PRO A Washbasin Pack with faucet, bottle trap, angle valves and all mounting accessories
Washbasin: sanitary ceramic, EN 31
dimension ceramic 650 x 480 mm, angular, 1 centre tap hole, with overflow
Special feature: overflow channel glazed
Faucet: washbasin mixer Citypro, with pop-up waste, surface chrome
Bottle trap: DN32, surface chrome
Angle valves: G 1/2" brass, surface chrome
Further accessories: siphon cover, pedestal, bathtubs, furniture
Order no. 86095.4

TECHNICAL DRAWINGS / S 1 : 20



* = Effective height must be fixed according to the height of the pedestal.