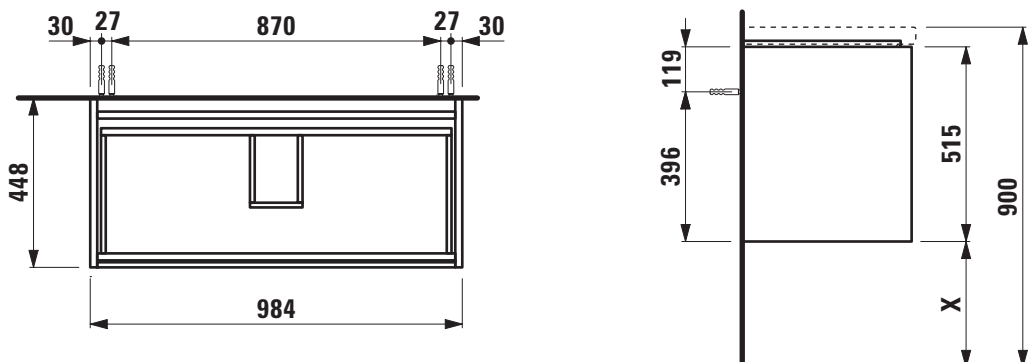




TECHNICAL DATA

Order no.	403562 / 2 drawers	Mounting information	The walls installed on must meet the requirements of the furniture in terms of weight and the supplied fastening elements. If this cannot be guaranteed another method of installation needs to be chosen.
Dimensions (WxHxD)	984 x 515 x 448 mm	Colours Body/Front	260 – White matt 261 – White glossy 266 – Traffic grey 267 – Wild oak 990 – Specialcolor lacquered selection 999 – Multicolor lacquered selection
Matching for	washbasin Lua, order no. 810089 (also in Charge 107), Living, order no. 818437, Kartell • LAUFEN, order no. 810337 (also in Charge 107),	Colours Towel holder order no. 493120	004 – Chrome plated 268 – White matt 450 – Black matt
Specification	Body/Front – 19 mm MDF panels, lacquered or PVC furniture foil (only 267 – Wild oak) integrated handles in the front 2 full extension drawers, anthracite (soft-close mechanism), incl. organiser	order no. 490951	104 – Aluminium glossy 105 – Aluminium 106 – Aluminium black
Weight	33,5 kg		
Accessories incl.	Drawer organizer, U-shaped, order no. 496113		
Accessories excl.	Towel holder chrome plated or lacquered, order no. 493120 Towel rail, anodized aluminium, order no. 490951 Space saving siphon, order no. 894240		
Mounting acc. incl.	Installation set for furniture, order no. 493133		

TECHNICAL DRAWINGS / S 1 : 20



X = The exact height must be set during installation.