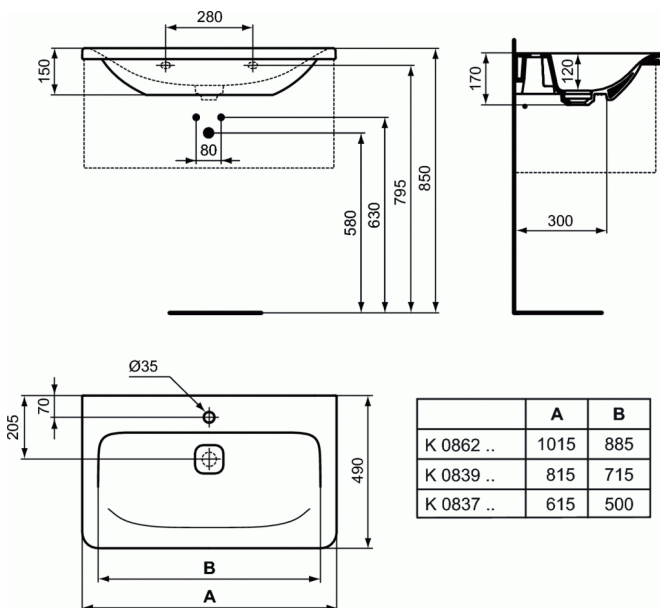


TONIC II

Vanity Basin 102 cm



Vanity Basin 102 cm

1 tap hole punched

Including: Ceramic waste cover (1 pc included) T854601

In carton box

EN 14688

For assembly with: Tonic II Furniture Basin unit (new space IdealFlow system - 1 pc included in Tonic II Furniture Basin Unit)

Recommended equipment:

- Fixation set M10 x 140 mm (WW965340)
- Design siphon G1 1/4 (in case of installation without semi-pedestal and without base cabinet) (E0079AA)
- Design stop angle valve (water connection G1/2, connection with mixer 10 mm/ G3/8) (A3491AA)

RECOMMENDED

One-hole High spout basin mixer A6332
 Handle for Basin unit/structure 100 cm R4360

FINISHES*



* 01 = Euro White

KEY FEATURES & BENEFITS

