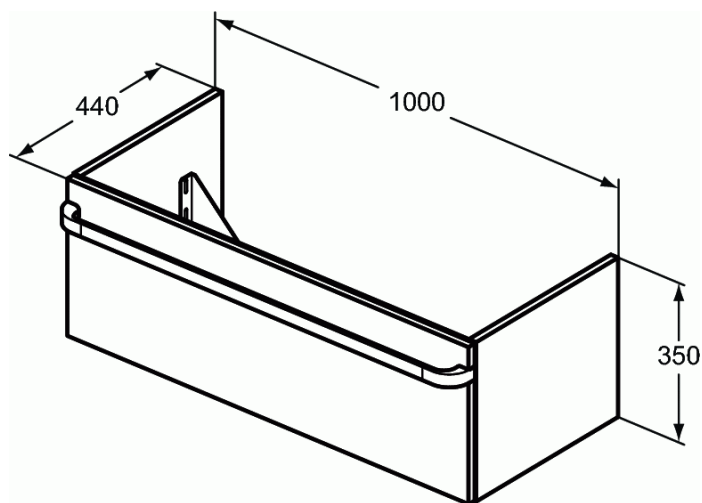


# TONIC II

## Basin unit 100 cm



### Basin unit 100 cm

Wall mounted

1 drawer

Soft close system

Anti-sleep covering on the drawer's bottom

Accessories included:

- Mounting kit
- 1 pcs IdealFlow waste space (R432667) + dedicated siphon (R432767)
- 2 pcs Led Light (R1753AA) - inside the drawer with opening sensor and with USB charge battery, IP44

Handles (not included):

1 handle 997 mm, including fixation kit

For assembly with:

- Tonic II Vanity basins 100 cm K0862 (with tap hole) or
- Tonic II Vessel Symmetric basin 55 cm K0834 with required Glass White Worktop R4332SA and wall mixer or
- Tonic II Vessel Asymmetric basin 55 cm K0833 with required Glass White Worktop R4336SA with tap hole for vessel mixer on side

Note: Worktops has to be ordered separately!

Necessary equipment:

- Handle for Basin unit 100 cm - Glossy white (R4360WG)
- Handle for Basin unit 100 cm - Chrome plated (R4360AA)

Optional (need to be ordered separately):

- 2 pcs Dividers (R4337WG)
- 4 pcs Plastic Boxes (RV05667)

### VARIANTS

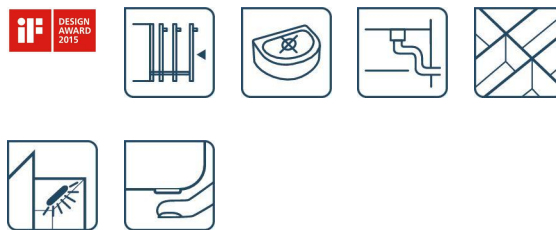
Basin unit 50 cm	R4301
Basin unit 60 cm	R4302
Basin unit 80 cm	R4303

### FINISHES\*



\* WG = Glossy White, FA = Glossy light grey, FC = Glossy light brown, FF = Wood light brown, FE = Wood light grey

### KEY FEATURES & BENEFITS



Article Number R4304

## TONIC II

### Basin unit 100 cm



---

Basin unit 120 cm R4305

#### **REQUIRED**

Basin structure 80 cm R4311  
Glass Worktop 100 cm R4332  
Glass Worktop 100 cm R4336  
Handle for Basin unit/structure 100 cm R4360  
Vanity Basin 102 cm K0862

#### **RECOMMENDED**

One-hole High spout basin mixer A6332