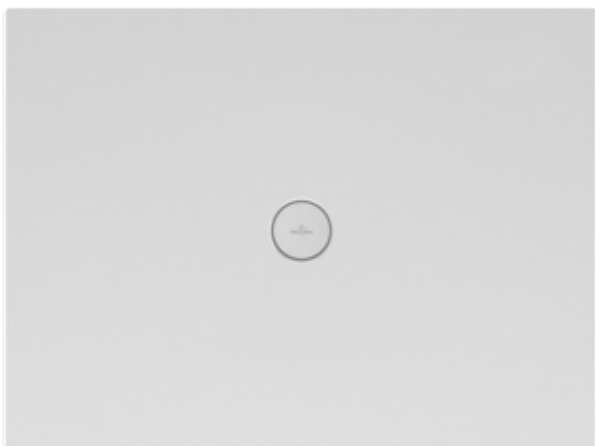


# SHOWER TRAYS (CERAMICS) SUBWAY INFINITY

## PRODUCT INFORMATION

### 1 . POSITION



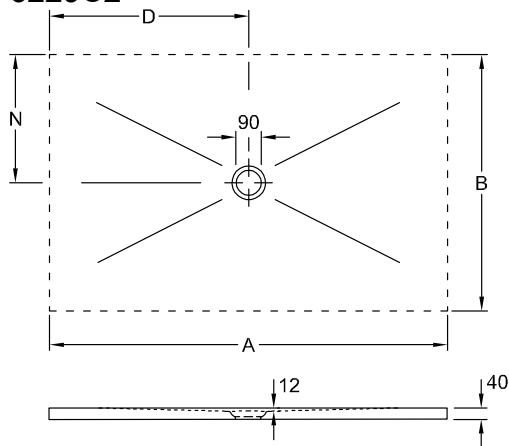
<b>Model</b>	<b>6229C2</b>
Collection	Subway Infinity
PROJECTS	DESIGN
Width	750 mm
Height	40 mm
Length	800 mm
Weight	24,75 kg
description	<p>Ceramic not available in CeramicPlus <b>These shower trays are cut along four sides (unglazed) and can be used for flush installation only.</b> Total price includes the surcharge for cutting!, Orders that we have confirmed for custom-made shower trays cannot be cancelled or altered., The installation height of the shower can be reduced by 30mm if outlet fitting 9226 00 XX is used. Please note: this outlet fitting does not conform to EN 274., *Shower trays marked with an asterisk can only be installed with Mepa installation system art. no. 9223 76 or in a mortar bed. Ceramic available in White Alpin (01) with anti-slip class B (PN18), Taupe (TP), Ardoise (W9) and ViPrint décors with anti-slip class A (PN12). slip-resistant</p>
material	Ceramic
Specification texts	Subway Infinity; Shower tray; Ceramic; Size: 800 x 750 x 40 mm; Rectangle

## COLOURS

Drift Wood	6229C2VPC6	4051202512804
Highland Stone	6229C2VPC7	4051202511470
Nordic Creek	6229C2VPC8	4051202511180
Blue Lagoon	6229C2VPC9	4051202511937
Star Flower	6229C2VPD0	4051202511647
Sinus Black	6229C2VPD1	4051202514471
Sinus White	6229C2VPD2	4051202514181
Eternity	6229C2VPD3	4051202514419
Ardoise Anti-slip	6229C2W9	4051202469313
White Alpin	6229C201	4051202469283
Taupe Anti-slip	6229C2TP	4051202469290
Lodge Beige-Effect	6229C2VPA1	4051202468156
X-Plane Creme-Effect	6229C2VPA2	4051202468149
X-Plane Anthracite-Effect	6229C2VPA3	4051202468132
Townhouse	6229C2VPC0	4051202518141
Abbey Grey	6229C2VPC1	4051202517854
Abbey Blue	6229C2VPC2	4051202512408
Lodge Dark Brown	6229C2VPA6	4051202516482
Bernina Beige-Effect	6229C2VPA7	4051202517236
Bernina Anthracite Matt	6229C2VPA8	4051202516949
Upper Side Greige-Effect	6229C2VPB6	4051202519308
Upperside Anthracite Effect	6229C2VPB9	4051202517397
Palazzo	6229C2VPC3	4051202512118

TECHNICAL DRAWINGS

**6229C2**



	A	B	D	N
6232 34	1500	900	750	450
6232 33	1500	800	750	400
6232 32	1500	750	750	375
6232 V4	1400	900	700	450
6232 V3	1400	800	700	400
6232 V2	1400	750	700	375
6232 N4	1200	900	600	450
6231 Q3	1200	800	600	400
6231 Q2	1200	750	600	375
6231 Q1	1200	700	600	350
6230 L3	1000	800	500	400
6230 L2	1000	750	500	375
6230 L1	1000	700	500	350
6229 H2	900	750	450	375
6229 H1	900	700	450	350
6229 C2	800	750	400	375
6228 H4	900	900	450	450
6228 H3	900	800	450	400
6228 C3	800	800	400	400