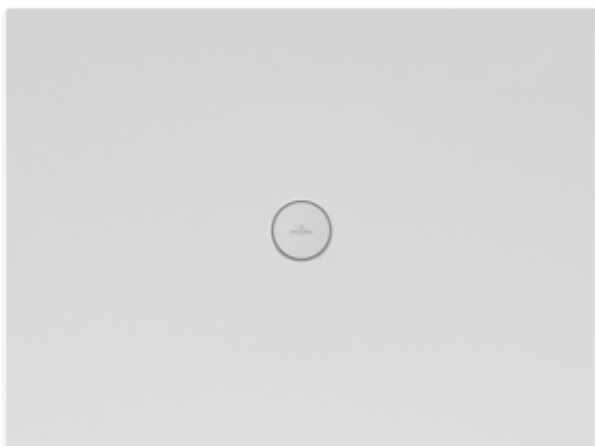


SHOWER TRAYS (CERAMICS) SUBWAY INFINITY

PRODUCT INFORMATION

1 . POSITION



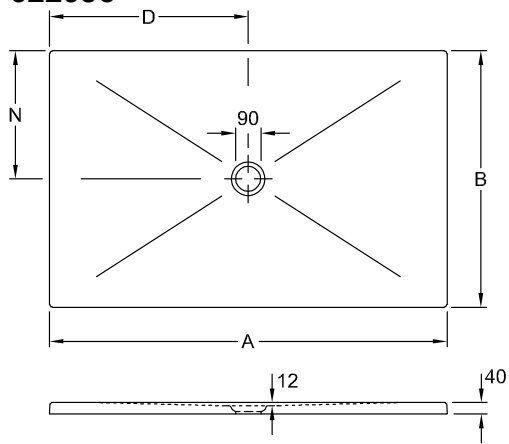
| | |
|---------------------|---|
| Model | 6229J3 |
| Collection | Subway Infinity |
| PROJECTS | ■ DESIGN |
| Width | 800 mm |
| Height | 40 mm |
| Length | 1000 mm |
| Weight | 33 kg |
| description | <p>Ceramic not available in CeramicPlus 4 sides glazed, These shower trays are not cut and can be used for all installation types (recommended: Mepa installation system art. no. 9223 76 00), The installation height of the shower can be reduced by 30mm if outlet fitting 9226 00 XX is used. Please note: this outlet fitting does not conform to EN 274. Ceramic available in White Alpin (01) with anti-slip class B (PN18), Taupe (TP), Ardoise (W9) and ViPrint décors with anti-slip class A (PN12). slip-resistant Non-slip category PN18</p> |
| material | Ceramic |
| Specification texts | Subway Infinity; Shower tray; Ceramic; Size: 1000 x 800 x 40 mm; Rectangle; Non-slip category PN18 |

COLOURS

| | | |
|-----------------------------|------------|---------------|
| White Alpin | 6229J301 | 4051202469559 |
| Taupe Anti-slip | 6229J3TP | 4051202469566 |
| Lodge Beige-Effect | 6229J3VPA1 | 4051202835491 |
| X-Plane Creme-Effect | 6229J3VPA2 | 4051202835484 |
| X-Plane Anthracite-Effect | 6229J3VPA3 | 4051202835477 |
| Lodge Dark Brown | 6229J3VPA6 | 4051202835460 |
| Bernina Beige-Effect | 6229J3VPA7 | 4051202835453 |
| Bernina Anthracite Matt | 6229J3VPA8 | 4051202835446 |
| Upper Side Greige-Effect | 6229J3VPB6 | 4051202835439 |
| Upperside Anthracite Effect | 6229J3VPB9 | 4051202835422 |
| Townhouse | 6229J3VPC0 | 4051202835415 |
| Abbey Grey | 6229J3VPC1 | 4051202835408 |
| Abbey Blue | 6229J3VPC2 | 4051202835392 |
| Sinus Black | 6229J3VPD1 | 4051202835323 |
| Sinus White | 6229J3VPD2 | 4051202835316 |
| Eternity | 6229J3VPD3 | 4051202835309 |
| Ardoise Anti-slip | 6229J3W9 | 4051202469573 |
| Palazzo | 6229J3VPC3 | 4051202835385 |
| Drift Wood | 6229J3VPC6 | 4051202835378 |
| Highland Stone | 6229J3VPC7 | 4051202835361 |
| Nordic Creek | 6229J3VPC8 | 4051202835354 |
| Blue Lagoon | 6229J3VPC9 | 4051202835347 |
| Star Flower | 6229J3VPD0 | 4051202835330 |

TECHNICAL DRAWINGS

6229J3



| | A | B | D | N |
|---------|------|------|-----|-----|
| 6232 45 | 1600 | 1000 | 800 | 500 |
| 6231 S4 | 1400 | 900 | 700 | 450 |
| 6230 N4 | 1200 | 900 | 600 | 450 |
| 6229 J3 | 1000 | 800 | 500 | 400 |
| 6228 J5 | 1000 | 1000 | 500 | 500 |