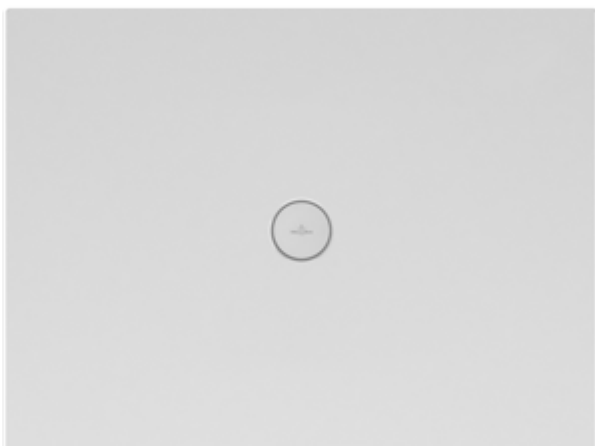


# SHOWER TRAYS (CERAMICS) SUBWAY INFINITY

## PRODUCT INFORMATION

### 1 . POSITION



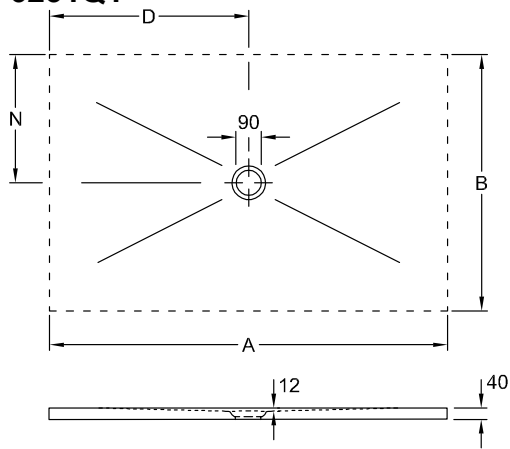
<b>Model</b>	<b>6231Q1</b>
Collection	Subway Infinity
PROJECTS	DESIGN
Width	700 mm
Height	40 mm
Length	1200 mm
Weight	35,33 kg
description	<p>Ceramic not available in CeramicPlus <b>These shower trays are cut along four sides (unglazed) and can be used for flush installation only.</b> Total price includes the surcharge for cutting!, Orders that we have confirmed for custom-made shower trays cannot be cancelled or altered., The installation height of the shower can be reduced by 30mm if outlet fitting 9226 00 XX is used. Please note: this outlet fitting does not conform to EN 274., *Shower trays marked with an asterisk can only be installed with Mepa installation system art. no. 9223 76 or in a mortar bed. Ceramic available in White Alpin (01) with anti-slip class B (PN18), Taupe (TP), Ardoise (W9) and ViPrint décors with anti-slip class A (PN12). slip-resistant</p>
material	Ceramic
Specification texts	Subway Infinity; Shower tray; Ceramic; Size: 1200 x 700 x 40 mm; Rectangle

## COLOURS

Taupe Anti-slip	6231Q1TP	4051202469733
Lodge Beige-Effect	6231Q1VPA1	4051202468378
X-Plane Creme-Effect	6231Q1VPA2	4051202468361
White Alpin	6231Q101	4051202469726
Townhouse	6231Q1VPC0	4051202518226
Abbey Grey	6231Q1VPC1	4051202517939
Abbey Blue	6231Q1VPC2	4051202512484
Palazzo	6231Q1VPC3	4051202512194
Drift Wood	6231Q1VPC6	4051202511326
Highland Stone	6231Q1VPC7	4051202511555
Nordic Creek	6231Q1VPC8	4051202511265
Blue Lagoon	6231Q1VPC9	4051202512019
Star Flower	6231Q1VPD0	4051202511722
Sinus Black	6231Q1VPD1	4051202514556
Sinus White	6231Q1VPD2	4051202514266
Eternity	6231Q1VPD3	4051202515010
Ardoise Anti-slip	6231Q1W9	4051202469757
X-Plane Anthracite-Effect	6231Q1VPA3	4051202468354
Lodge Dark Brown	6231Q1VPA6	4051202517083
Bernina Beige-Effect	6231Q1VPA7	4051202516796
Bernina Anthracite Matt	6231Q1VPA8	4051202515461
Upper Side Greige-Effect	6231Q1VPB6	4051202518868
Upperside Anthracite Effect	6231Q1VPB9	4051202517472

TECHNICAL DRAWINGS

6231Q1



	A	B	D	N
6232 34	1500	900	750	450
6232 33	1500	800	750	400
6232 32	1500	750	750	375
6232 V4	1400	900	700	450
6232 V3	1400	800	700	400
6232 V2	1400	750	700	375
6232 N4	1200	900	600	450
6231 Q3	1200	800	600	400
6231 Q2	1200	750	600	375
6231 Q1	1200	700	600	350
6230 L3	1000	800	500	400
6230 L2	1000	750	500	375
6230 L1	1000	700	500	350
6229 H2	900	750	450	375
6229 H1	900	700	450	350
6229 C2	800	750	400	375
6228 H4	900	900	450	450
6228 H3	900	800	450	400
6228 C3	800	800	400	400