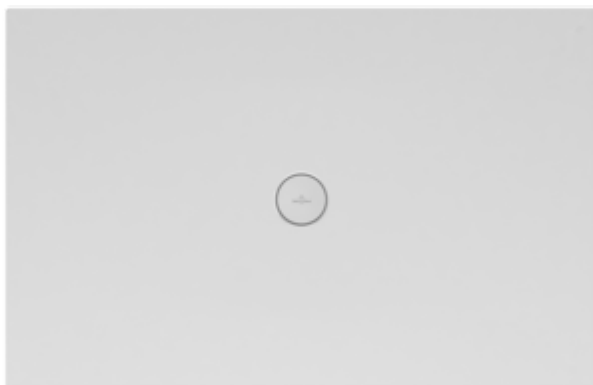


# SHOWER TRAYS (CERAMICS) SUBWAY INFINITY

## PRODUCT INFORMATION

### 1 . POSITION



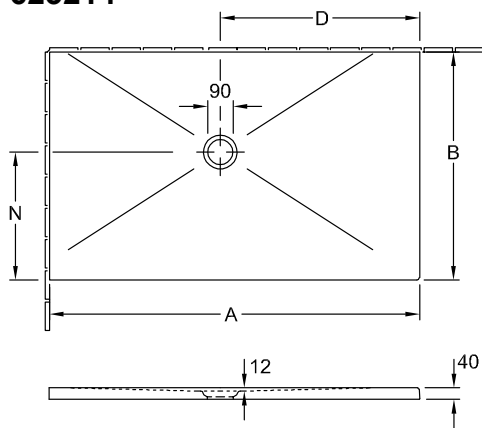
<b>Model</b>	<b>623214</b>
Collection	Subway Infinity
PROJECTS	DESIGN
Width	900 mm
Height	40 mm
Length	1500 mm
Weight	57,38 kg
description	<p>Ceramic not available in CeramicPlus <b>These shower trays are cut along 2 sides (unglazed) and have to be installed on left against the wall,</b> Total price includes the surcharge for cutting!, Please note: the outlet is positioned asymmetrically, not centrally!, The installation height of the shower can be reduced by 30mm if outlet fitting 9226 00 XX is used. Please note: this outlet fitting does not conform to EN 274., *Shower trays marked with an asterisk can only be installed with Mepa installation system art. no. 9223 76 or in a mortar bed. Ceramic available in White Alpin (01) with anti-slip class B (PN18), Taupe (TP), Ardoise (W9) and ViPrint décors with anti-slip class A (PN12). slip-resistant Non-slip category PN18</p>
material	Ceramic
Specification texts	Subway Infinity; Shower tray; Ceramic; Size: 1500 x 900 x 40 mm; Rectangle; Non-slip category PN18

## COLOURS

Highland Stone	623214VPC7	4051202833367
Nordic Creek	623214VPC8	4051202833350
Blue Lagoon	623214VPC9	4051202833343
Star Flower	623214VPD0	4051202833336
Sinus Black	623214VPD1	4051202833329
Sinus White	623214VPD2	4051202833312
Eternity	623214VPD3	4051202833305
Ardoise Anti-slip	623214W9	4051202469863
Taupe Anti-slip	623214TP	4051202469856
Lodge Beige-Effect	623214VPA1	4051202832896
X-Plane Creme-Effect	623214VPA2	4051202832889
X-Plane Anthracite-Effect	623214VPA3	4051202832872
Lodge Dark Brown	623214VPA6	4051202832865
Bernina Beige-Effect	623214VPA7	4051202832858
Upperside Anthracite Effect	623214VPB9	4051202832827
Townhouse	623214VPC0	4051202832810
Abbey Grey	623214VPC1	4051202832803
Abbey Blue	623214VPC2	4051202833398
Palazzo	623214VPC3	4051202833381
Drift Wood	623214VPC6	4051202833374
White Alpin	62321401	4051202469849
Bernina Anthracite Matt	623214VPA8	4051202832841
Upper Side Greige-Effect	623214VPB6	4051202832834

TECHNICAL DRAWINGS

**623214**



	A	B	D	N
6232 14	1500	900	800	500
6228 F4	900	900	500	500
6229 F2	900	750	500	400
6229 F1	900	700	500	400