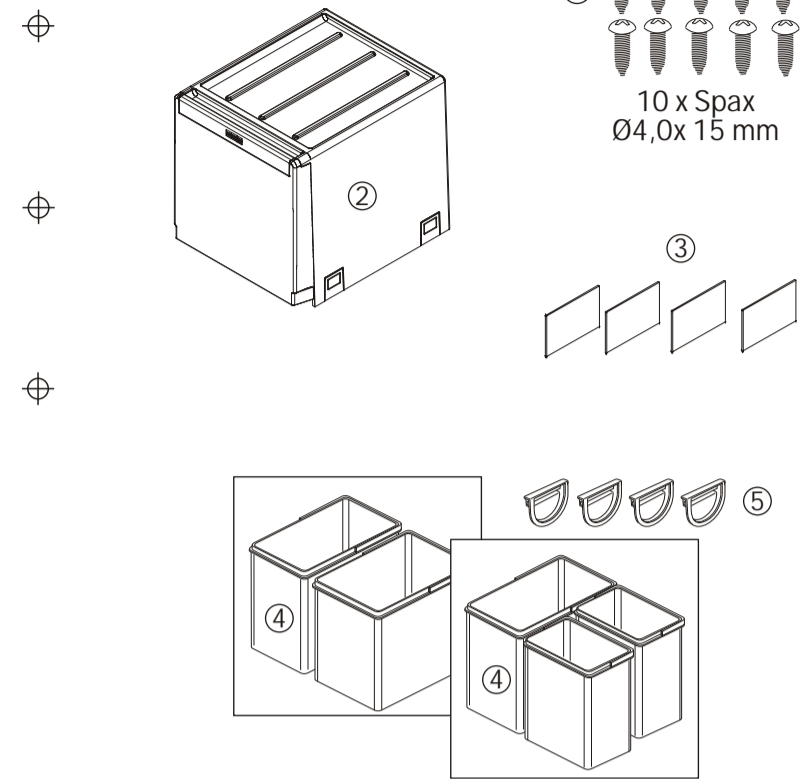
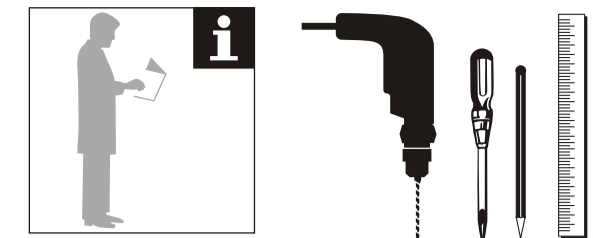
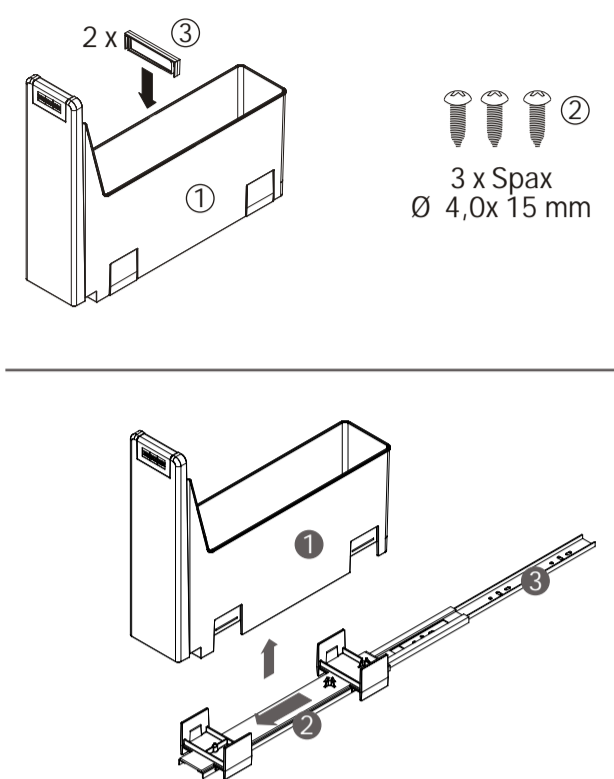


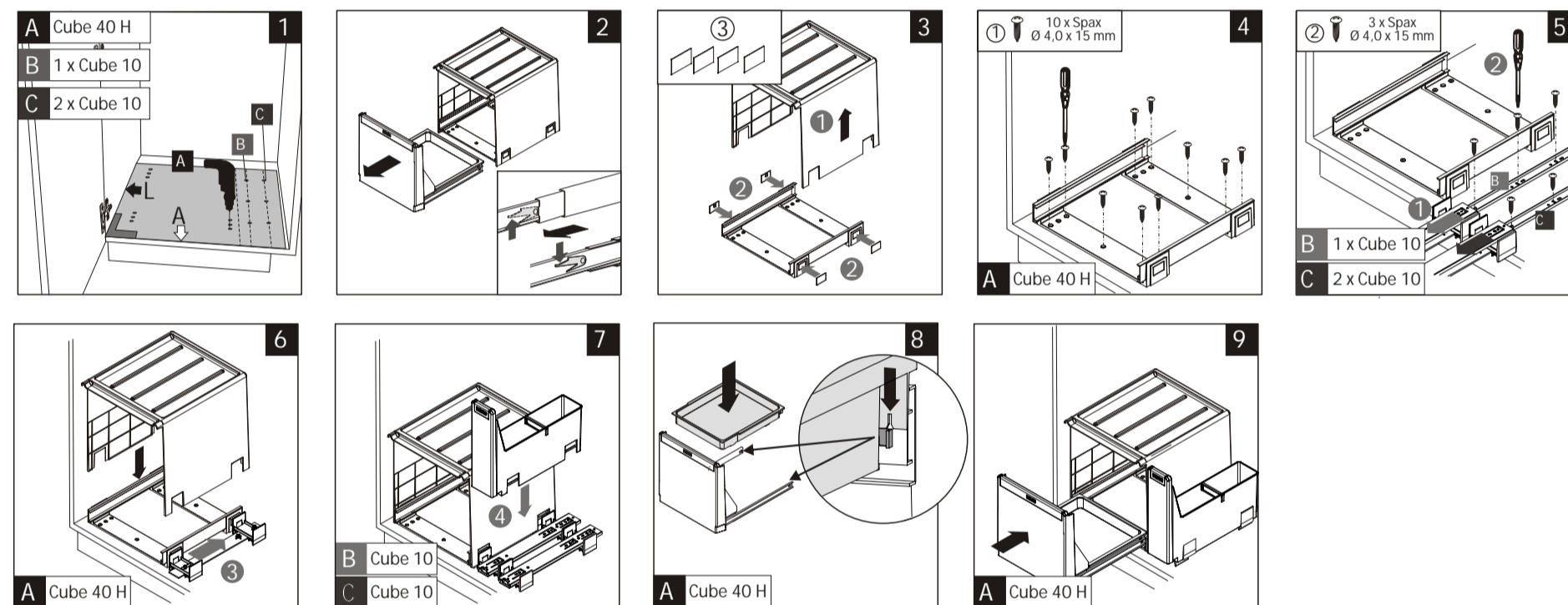
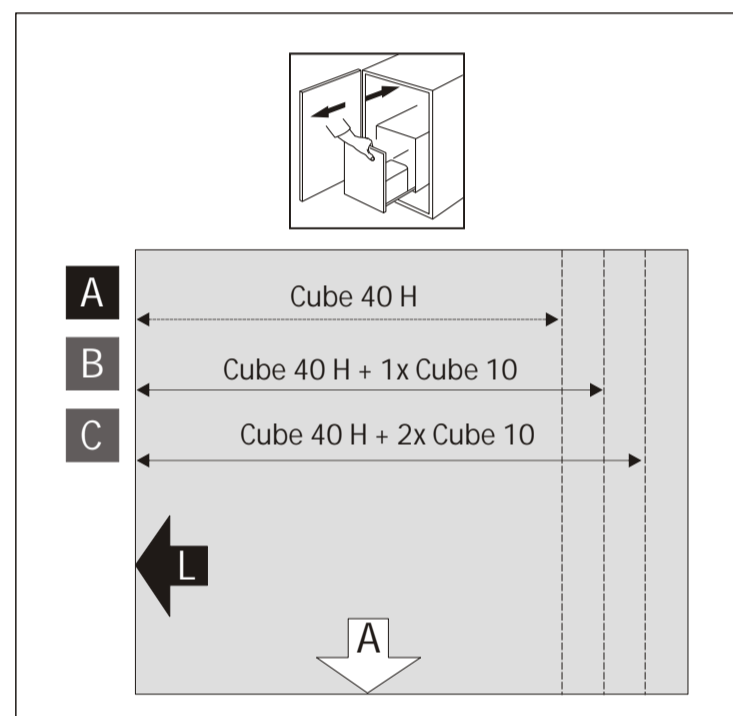
Cube 40



Cube 10



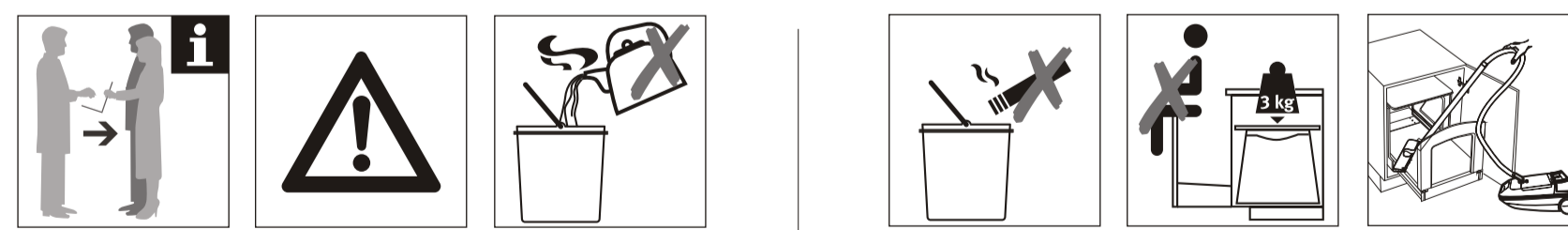
Cube 40 H
 Cube 40 H + 1x Cube 10
 Cube 40 H + 2x Cube 10



Cube 40 H (393 mm)

Cube 40 H + 1x Cube 10 (416,5 mm)

Cube 40 H + 2x Cube 10 (515,0 mm)



72

124,5

124,5

95,5

98,5

24

24

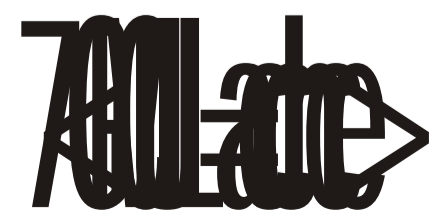
78

207

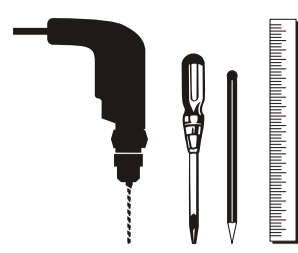
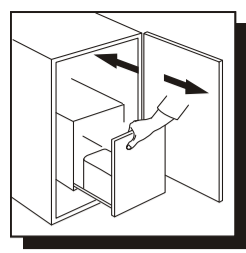
112

142

94

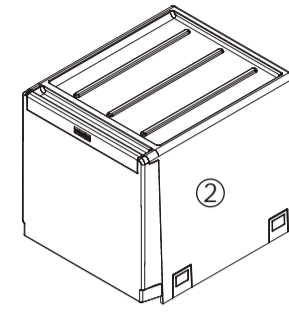


FRANKE

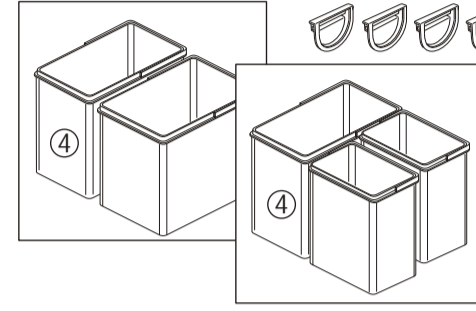
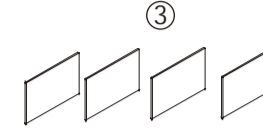


Cube 40 H
 Cube 40 H + 1x Cube 10
 Cube 40 H + 2x Cube 10

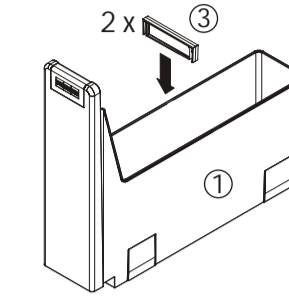
Cube 40



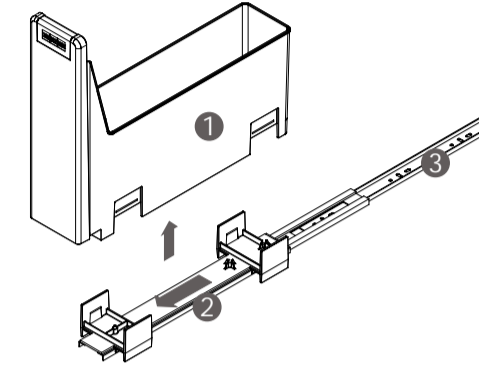
①
 10 x Spax
 Ø4,0x 15 mm



Cube 10



②
 3 x Spax
 Ø 4,0x 15 mm

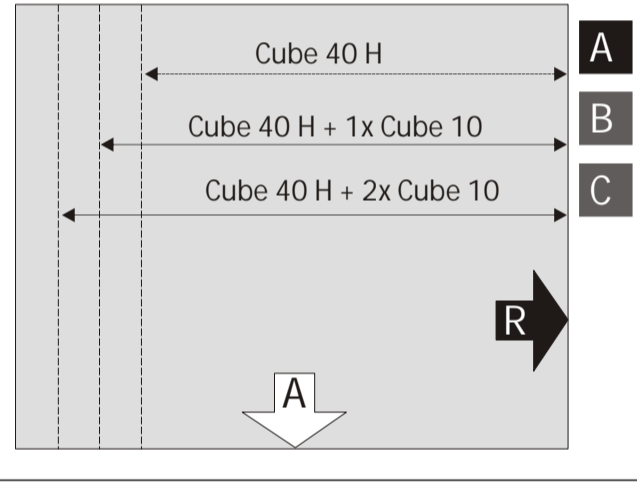
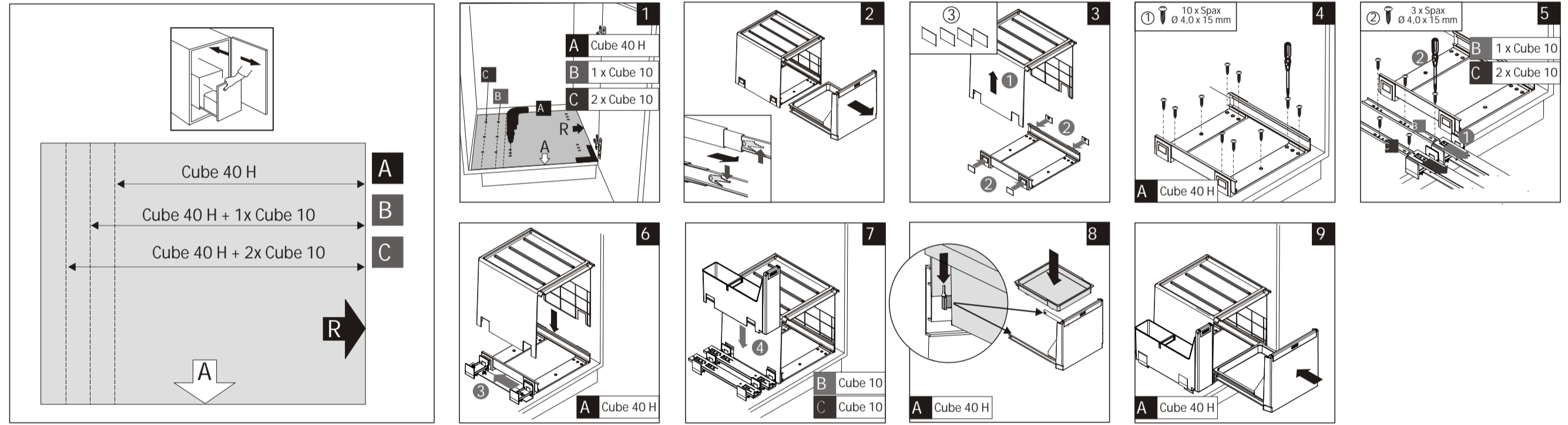


24
 24

112

142

94



207

Cube 40 H (393 mm)

Cube 40 H + 1x Cube 10 (416,5 mm)

Cube 40 H + 2x Cube 10 (515,0 mm)

98,5

95,5

124,5

124,5

72

24

24

78

