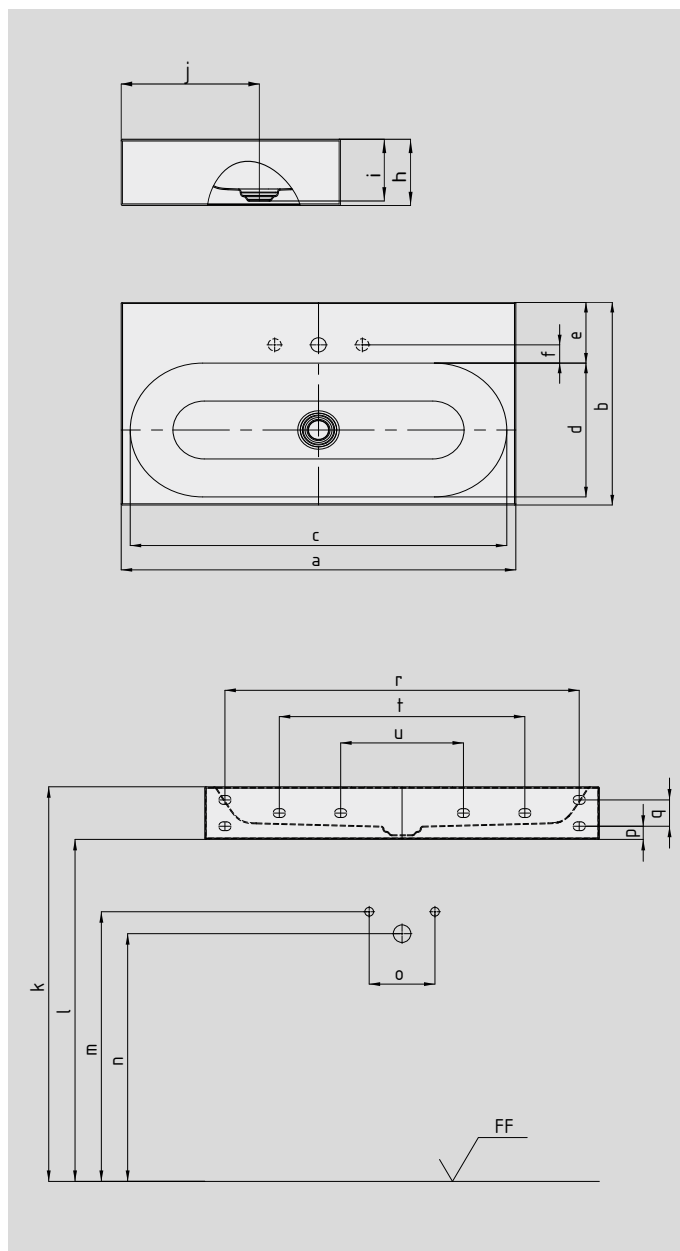


# CENTRO WALL-MOUNTED WASHBASIN

- fusion of minimalism and simple elegance
- luxurious look - integrates perfectly both in modern and traditional bathroom settings
- circle taken as the basic shape echoes in the optimally integrated enamelled waste
- washbasin surround with ample space for individual accessories
- matching counterpart to the Centro bath
- designed by Anke Salomon



Similar illustrations



Model No.		3061	3062
External length	a	600	900 mm
External width	b	500	500 mm
Internal length	c	559	859 mm
Internal width	d	330	330 mm
Depth of tap deck	e	150	150 mm
Distance tap holes to edge	f	45	45 mm
Distance of tap holes	g	200	200 mm
Height of rim	h	120	120 mm
Distance basin surface to bottom edge of waste hole	i	112	112 mm
Distance rear edge to centre of waste hole	j	315	315 mm
Distance FF*1 to top edge of basin surface	k	820-850	820-850 mm
Distance FF*1 to bottom edge (washbasin)	l	700-730	700-730 mm
Distance FF*1 to centre of water inlet	m	570-600	570-600 mm
Distance FF*1 to centre of drain hole wall connection	n	520-580	520-580 mm
Distance hot/cold water inlet	o	80-150	80-150 mm
Distance bottom edge to centre of fixing hole	p	30	30 mm
Centre-to-centre distance of fixing holes	q	60	60 mm
Outer distance of fixing holes*2	r	520	808 mm
Central distance of fixing holes*2	t		560 mm
Inner distance of fixing holes*2	u	280	280 mm
Weight of the enamelled washbasin in kg		13,0	17,7

\*1 Finished floor level.

\*2 Check the recommended number of fixing holes before purchasing the fittings (varies depending on size of washbasin). Subject to technical alterations, tolerances and errors. Similar illustrations.