

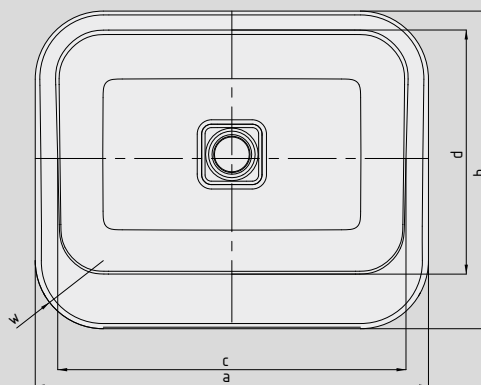
# MEISTERSTÜCK EMERSO WASHBASIN

- sculpture of perfect harmony
- inverse design of the rim underlines the subtle and harmonious effect
- flush-fitting waste reinforces the impression of a fluid shape
- pure freedom - centrally-placed waste allows use from any side
- matches the Meisterstück EMERSO bath
- designed by Arik Levy

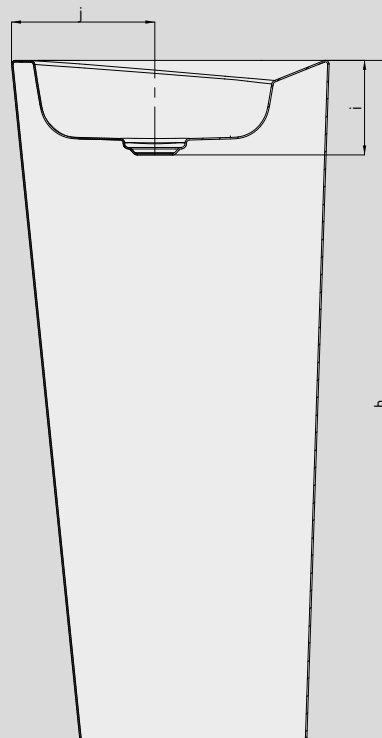
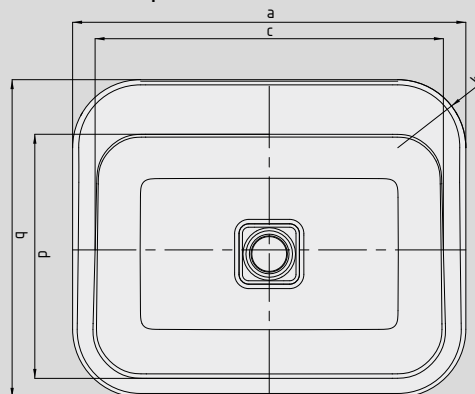


Similar illustrations

Front side Option A\*



Front side Option B\*



\* Pure freedom - the centrally-placed waste allows a choice of washbasin positions for installation. Choose your preferred front side from the above installation options.

| Model No.   |   | 3020     |
|---|---|----------|
| External length                                     | a | 520 mm   |
| External width                                      | b | 420 mm   |
| Internal length                                     | c | 461 mm   |
| Internal width                                      | d | 323 mm   |
| Height of rim                                       | h | 900 mm   |
| Distance basin surface to bottom edge of waste hole | i | 125 mm   |
| Distance rear edge to centre of waste hole          | j | 189,5 mm |
| Radius of washbasin corner                          | w | 90 mm    |
| Weight of the enamelled washbasin in kg             |   | 35,2     |