

WASTE SYSTEMS

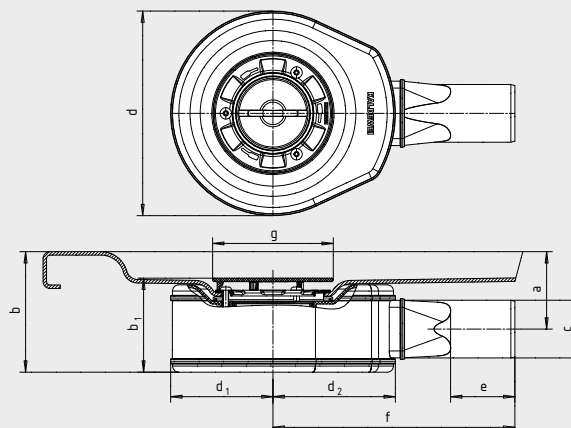
WASTE FITTINGS KA 90

KALDEWEI KA 90 standard mod. 4047¹

- Fitting height incl. waste cover only 81 mm
- Horizontal connection
- Drainage capacity: 0,9 l/s
- Connection diameter 50mm
- Does conform to EN 274 with water seal height 50 mm



KALDEWEI KA 90 standard
Mod. 4047

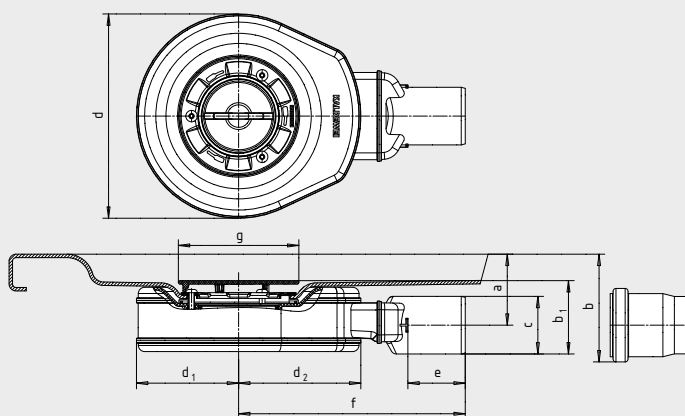


KALDEWEI KA 90 extra flat Model 4051¹

- Fitting height incl. waste cover only 70 mm
- Horizontal connection
- Drainage capacity: 0.8 l/s
- Connection diameter 50 mm
- Does not conform to EN 274 with water seal height 30 mm



KALDEWEI KA 90 extra flat
Model 4051



		KALDEWEI KA 90 standard 4047	KALDEWEI KA 90 extra flat 4051
Siphon connection height	a	Tray depth** + 42,5	Tray depth** + 37 mm
Height shower tray with siphon	b	Tray depth** + 80	Tray depth** + 69 mm
Fitting height incl. waste cover	b ₁	81	70 mm
Connection pipe diameter	c	50	50 mm
External dimensions	d; d ₁ ; d ₂	180; 90; 107	180; 90; 107 mm
Long connection pipe (can be cut to length)	e	55	50 mm
Distance between the siphon axis and the connection pipe	f	210	198 mm
External diameter of waste cover	g	105	105 mm

¹Available from April 2015

**tray depth corresponds to dimension "c" of the desired shower tray.

Please read the information in the installation instructions in the planning phase. Instructions are available at www.kaldewei.de